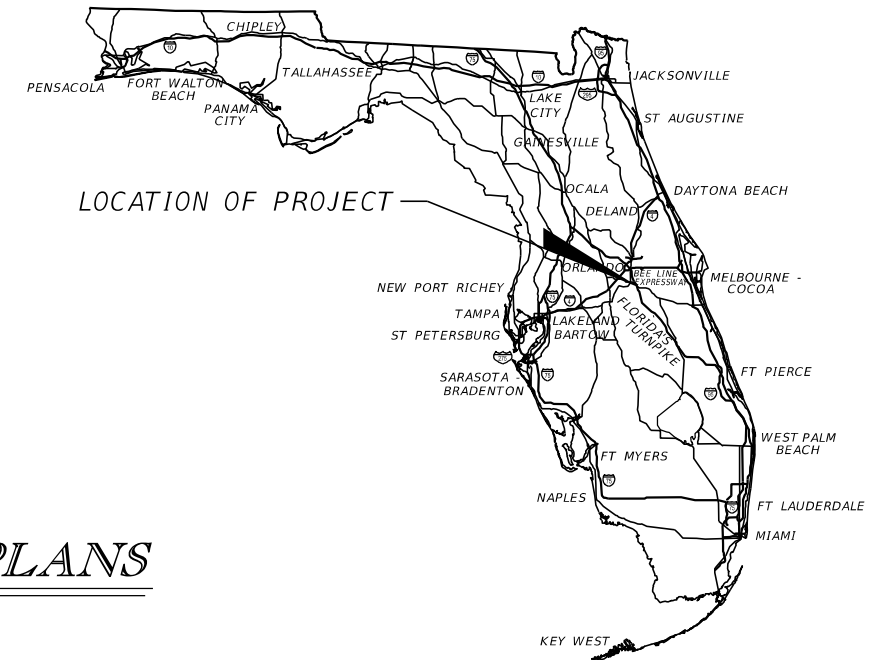


*OSCEOLA COUNTY*  
**TRANSPORTATION & TRANSIT DEPARTMENT**

**CONTRACT PLANS**

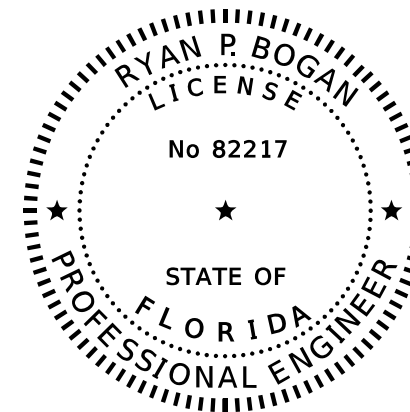
OSCEOLA COUNTY CONTRACT ID: PS-20-11504-DG  
PARTIN SETTLEMENT ROAD  
FROM NEPTUNE ROAD (CR 525) TO LAKESHORE BLVD.  
COUNTY ROAD NO. 523

**INTELLIGENT TRANSPORTATION SYSTEM PLANS**



**INDEX OF INTELLIGENT  
TRANSPORTATION SYSTEM (ITS) PLANS**

SHEET NO.	SHEET DESCRIPTION
IT-1	KEY SHEET
IT-2 - IT-4	TABULATION OF QUANTITIES
IT-5	GENERAL NOTES
IT-6 - IT-28	ITS PLANS
IT-29	NETWORK DIAGRAM
IT-30 - IT-36	SPLICING DETAILS
IT-37	CONDUIT DETAILS
IT-38 - IT-39	CCTV MOUNTING DETAILS
IT-40	CABINET DETAILS
IT-41	PULL BOX DETAILS
IT-42	SPLICE VAULT DETAILS
IT-43	ROUTE MARKER DETAILS
IT-44	FIBER LOSS BUDGET TABLE



THIS ITEM HAS BEEN DIGITALLY  
SIGNED AND SEALED BY

ON THE DATE ADJACENT TO THE SEAL

PRINTED COPIES OF THIS DOCUMENT ARE  
NOT CONSIDERED SIGNED AND SEALED  
AND THE SIGNATURE MUST BE VERIFIED  
ON ANY ELECTRONIC COPIES.

**ITS PLANS**  
**ENGINEER OF RECORD:**

RYAN P. BOGAN  
P.E. LICENSE NUMBER 82217  
JMT - JOHNSON, MIRMIRAN, & THOMPSON  
400 COLONIAL CENTER PKY, SUITE 100  
LAKE MARY, FL 32746

**COUNTY PROJECT MANAGER:**

STEVEN KANE, P.E.

CONSTRUCTION CONTRACT NO.	FISCAL YEAR	SHEET NO.
TBD	23	IT-1

TABULATION OF QUANTITIES

PAY ITEM NO.	DESCRIPTION	UNIT	SHEET NUMBERS																TOTAL THIS SHEET	
			IT-6		IT-7		IT-8		IT-9		IT-10		IT-11		IT-12		IT-13		PLAN	FINAL
			PLAN	FINAL	PLAN	FINAL	PLAN	FINAL	PLAN	FINAL	PLAN	FINAL	PLAN	FINAL	PLAN	FINAL	PLAN	FINAL		
611-1-1	ITSFM SUBSURFACE DOCUMENTATION- PROJECT LENGTH	MI																		
630-2-11	CONDUIT, FURNISH & INSTALL, OPEN TRENCH	LF	610		570		465		405		593		515		710		465		4333	
630-2-12	CONDUIT, FURNISH & INSTALL, DIRECTIONAL BORE	LF	100		135		245		295		106		190				245		1316	
633-1-121	FIBER OPTIC CABLE, FURNISH & INSTALL, UNDERGROUND, 2 TO 12 FIBERS	LF	130																130	
633-1-123	FIBER OPTIC CABLE, FURNISH & INSTALL, UNDERGROUND, 49 TO 96 FIBERS	LF	1000		805		1060		850		849		1055		810		910		7339	
633-1-420	FIBER OPTIC CABLE, RELOCATE, UNDERGROUND	LF					35												35	
633-2-31	FIBER OPTIC CONNECTION, INSTALL, SPLICE	EA	12																12	
633-2-32	FIBER OPTIC CONNECTION, INSTALL, TERMINATION	EA	72				12												84	
633-3-11	FIBER OPTIC CONNECTION HARDWARE, FURNISH & INSTALL, SPLICE ENCLOSURE	EA	1																1	
633-3-12	FIBER OPTIC CONNECTION HARDWARE, FURNISH & INSTALL, SPLICE TRAY	EA																		
633-3-14	FIBER OPTIC CONNECTION HARDWARE, FURNISH & INSTALL, BUFFER TUBE FAN OUT KIT	EA	1				1												2	
633-3-16	FIBER OPTIC CONNECTION HARDWARE, F&I, PATCH PANEL-FIELD TERMINATED	EA	1				1												2	
633-3-17	FIBER OPTIC CONNECTION HARDWARE, F&I, CONNECTOR PANEL	EA	1				1												2	
633-6	FIBER OPTIC CABLE LOCATOR	DA																		
635-2-11	PULL & SPLICE BOX, F&I, 13" x 24" COVER SIZE	EA																		
635-2-12	PULL & SPLICE BOX, F&I, 24" X 36" COVER SIZE	EA	1		2		3		3		3		3		2		4		21	
635-2-13	PULL & SPLICE BOX, F&I, 30" X 60" RECTANGULAR OR 36" ROUND COVER SIZE	EA	1										1						2	
639-1-122	ELECTRICAL POWER SERVICE, F&I, UNDERGROUND, METER PURCHASED BY CONTRACTOR	AS																		
639-2-1	ELECTRICAL SERVICE WIRE, FURNISH & INSTALL	LF																		
639-3-11	ELECTRICAL SERVICE DISCONNECT, F&I, POLE MOUNT	EA																		
639-6-2	ELECTRICAL POWER SERVICE- TRANSFORMER, REPLACE EXISTING	EA																		
641-2-11	PRESTRESSED CONCRETE POLE, F&I, TYPE P-II PEDESTAL	EA																		
649-2-155	STEEL CCTV POLE, FURNISH & INSTALL WITH LOWERING DEVICE, 55'	EA																		
676-2-122	ITS CABINET, FURNISH & INSTALL, POLE MOUNT WITH SUNSHIELD, 336S, 24" W X 46" H X 22" D	EA																		
682-1-113	ITS CCTV CAMERA, F&I, DOME PTZ ENCLOSURE - PRESSURIZED, IP, HIGH DEFINITION	EA	1																1	
684-1-1	MANAGED FIELD ETHERNET SWITCH, FURNISH & INSTALL	EA	1				1												2	
684-1-10	MANAGED FIELD ETHERNET SWITCH, LAYER 3, FURNISH & INSTALL	EA																		
685-1-12	UNINTERRUPTIBLEPOWER SUPPLY, FURNISH & INSTALL, ONLINE/DOUBLE CONVERSION	EA																		
685-2-1	REMOTE POWER MANAGEMENT UNIT-RPMU, FURNISH & INSTALL	EA													1				1	

1/26/2023 1:04:12 PM rrodriguez c:\pwworking\jmt\rrrodriguez@jmt.com\d0156103\TAB01T01.dgn

THE OFFICIAL RECORD OF THIS SHEET IS THE ELECTRONIC FILE DIGITALLY SIGNED AND SEALED UNDER RULE 61G15-23.004, F.A.C.

<table border="1"> <thead> <tr> <th colspan="2">REVISIONS</th> <th colspan="2">ENGINEER OF RECORD</th> </tr> <tr> <th>DATE</th> <th>DESCRIPTION</th> <th>DATE</th> <th>DESCRIPTION</th> </tr> </thead> <tbody> <tr> <td> </td> <td> </td> <td> </td> <td> </td> </tr> </tbody> </table>				REVISIONS		ENGINEER OF RECORD		DATE	DESCRIPTION	DATE	DESCRIPTION					OSCEOLA COUNTY TRANSPORTATION & TRANSIT DEPARTMENT ROAD IDENTIFICATION: PARTIN SETTLEMENT RD. CONTRACT ID: PS-20-11504-DG		TABULATION OF QUANTITIES (1)	SHEET NO.
REVISIONS		ENGINEER OF RECORD																	
DATE	DESCRIPTION	DATE	DESCRIPTION																
RYAN P. BOGAN, P.E. LICENSE NUMBER 82217 JOHNSON, MIRMIRAN & THOMPSON 400 COLONIAL CENTER PKY, SUITE 100 LAKE MARY, FL 32746					IT-2														



TABULATION OF QUANTITIES

PAY ITEM NO.	DESCRIPTION	UNIT	SHEET NUMBERS																TOTAL THIS SHEET	
			IT-14		IT-15		IT-16		IT-17		IT-18		IT-19		IT-20		IT-21		PLAN	FINAL
			PLAN	FINAL	PLAN	FINAL	PLAN	FINAL	PLAN	FINAL	PLAN	FINAL	PLAN	FINAL	PLAN	FINAL				
611-1-1	ITSFM SUBSURFACE DOCUMENTATION- PROJECT LENGTH	MI																		
630-2-11	CONDUIT, FURNISH & INSTALL, OPEN TRENCH	LF	555		832		1114		957				605		552		706		5321	
630-2-12	CONDUIT, FURNISH & INSTALL, DIRECTIONAL BORE	LF	148		220		300		305					165					1138	
633-1-121	FIBER OPTIC CABLE, FURNISH & INSTALL, UNDERGROUND, 2 TO 12 FIBERS	LF			137				240						130				507	
633-1-123	FIBER OPTIC CABLE, FURNISH & INSTALL, UNDERGROUND, 49 TO 96 FIBERS	LF	853		2350		2520		4244		605		900		957		956		13385	
633-1-420	FIBER OPTIC CABLE, RELOCATE, UNDERGROUND	LF																		
633-2-31	FIBER OPTIC CONNECTION, INSTALL, SPLICE	EA			84				12						12				108	
633-2-32	FIBER OPTIC CONNECTION, INSTALL, TERMINATION	EA			24				12						12				48	
633-3-11	FIBER OPTIC CONNECTION HARDWARE, FURNISH & INSTALL, SPLICE ENCLOSURE	EA			2				1						1				4	
633-3-12	FIBER OPTIC CONNECTION HARDWARE, FURNISH & INSTALL, SPLICE TRAY	EA							1										1	
633-3-14	FIBER OPTIC CONNECTION HARDWARE, FURNISH & INSTALL, BUFFER TUBE FAN OUT KIT	EA			1				1						1				3	
633-3-16	FIBER OPTIC CONNECTION HARDWARE, F&I, PATCH PANEL-FIELD TERMINATED	EA			2				1						1				4	
633-3-17	FIBER OPTIC CONNECTION HARDWARE, F&I, CONNECTOR PANEL	EA			2				1						1				4	
633-6	FIBER OPTIC CABLE LOCATOR	DA																		
635-2-11	PULL & SPLICE BOX, F&I, 13" x 24" COVER SIZE	EA							2										2	
635-2-12	PULL & SPLICE BOX, F&I, 24" X 36" COVER SIZE	EA	3				6		5						1		1		16	
635-2-13	PULL & SPLICE BOX, F&I, 30" X 60" RECTANGULAR OR 36" ROUND COVER SIZE	EA			2				2				1		1		1		7	
639-1-122	ELECTRICAL POWER SERVICE, F&I, UNDERGROUND, METER PURCHASED BY CONTRACTOR	AS							1										1	
639-2-1	ELECTRICAL SERVICE WIRE, FURNISH & INSTALL	LF							40										40	
639-3-11	ELECTRICAL SERVICE DISCONNECT, F&I, POLE MOUNT	EA							1										1	
639-6-2	ELECTRICAL POWER SERVICE- TRANSFORMER, REPLACE EXISTING	EA							1										1	
641-2-11	PRESTRESSED CONCRETE POLE, F&I, TYPE P-II PEDESTAL	EA							1										1	
649-2-155	STEEL CCTV POLE, FURNISH & INSTALL WITH LOWERING DEVICE, 55'	EA							1										1	
676-2-122	ITS CABINET, FURNISH & INSTALL, POLE MOUNT WITH SUNSHIELD, 336S, 24" W X 46" H X 22" D	EA							1										1	
682-1-113	ITS CCTV CAMERA, F&I, DOME PTZ ENCLOSURE - PRESSURIZED, IP, HIGH DEFINITION	EA			1				1						1				3	
684-1-1	MANAGED FIELD ETHERNET SWITCH, FURNISH & INSTALL	EA			1										1				2	
684-1-10	MANAGED FIELD ETHERNET SWITCH, LAYER 3, FURNISH & INSTALL	EA							1										1	
685-1-12	UNINTERRUPTIBLEPOWER SUPPLY, FURNISH & INSTALL, ONLINE/DOUBLE CONVERSION	EA							1										1	
685-2-1	REMOTE POWER MANAGEMENT UNIT-RPMU, FURNISH & INSTALL	EA							1										1	

1/26/2023 1:04:12 PM rrodriguez c:\pwworking\jmt\rrrodriguez@jmt.com\d0156103\TAB01T01.dgn

THE OFFICIAL RECORD OF THIS SHEET IS THE ELECTRONIC FILE DIGITALLY SIGNED AND SEALED UNDER RULE 61G15-23.004, F.A.C.

<table border="1"> <thead> <tr> <th colspan="2">REVISIONS</th> <th colspan="2">ENGINEER OF RECORD</th> </tr> <tr> <th>DATE</th> <th>DESCRIPTION</th> <th>DATE</th> <th>DESCRIPTION</th> </tr> </thead> <tbody> <tr> <td> </td> <td> </td> <td> </td> <td> </td> </tr> </tbody> </table>				REVISIONS		ENGINEER OF RECORD		DATE	DESCRIPTION	DATE	DESCRIPTION					OSCEOLA COUNTY TRANSPORTATION & TRANSIT DEPARTMENT ROAD IDENTIFICATION: PARTIN SETTLEMENT RD. CONTRACT ID: PS-20-11504-DG		<b>TABULATION OF QUANTITIES (2)</b>	SHEET NO.
REVISIONS		ENGINEER OF RECORD																	
DATE	DESCRIPTION	DATE	DESCRIPTION																
RYAN P. BOGAN, P.E. LICENSE NUMBER 82217 JOHNSON, MIRMIRAN & THOMPSON 400 COLONIAL CENTER PKY, SUITE 100 LAKE MARY, FL 32746				IT-3															

TABULATION OF QUANTITIES

PAY ITEM NO.	DESCRIPTION	UNIT	SHEET NUMBERS														TOTAL THIS SHEET		GRAND TOTAL	
			IT-22		IT-23		IT-24		IT-25		IT-26		IT-27		IT-28		PLAN	FINAL	PLAN	FINAL
			PLAN	FINAL	PLAN	FINAL	PLAN	FINAL	PLAN	FINAL	PLAN	FINAL	PLAN	FINAL						
611-1-1	ITSFM SUBSURFACE DOCUMENTATION- PROJECT LENGTH	MI																		2.529
630-2-11	CONDUIT, FURNISH & INSTALL, OPEN TRENCH	LF	650		546		700		581		530						3007		12661	
630-2-12	CONDUIT, FURNISH & INSTALL, DIRECTIONAL BORE	LF	50		157				120		85						412		2866	
633-1-121	FIBER OPTIC CABLE, FURNISH & INSTALL, UNDERGROUND, 2 TO 12 FIBERS	LF									130						130		767	
633-1-123	FIBER OPTIC CABLE, FURNISH & INSTALL, UNDERGROUND, 49 TO 96 FIBERS	LF	750		853		750		801		855		1485		6000		11494		32218	
633-1-420	FIBER OPTIC CABLE, RELOCATE, UNDERGROUND	LF																	35	
633-2-31	FIBER OPTIC CONNECTION, INSTALL, SPLICE	EA									12		72				84		204	
633-2-32	FIBER OPTIC CONNECTION, INSTALL, TERMINATION	EA									72				336		408		540	
633-3-11	FIBER OPTIC CONNECTION HARDWARE, FURNISH & INSTALL, SPLICE ENCLOSURE	EA									1		1				2		7	
633-3-12	FIBER OPTIC CONNECTION HARDWARE, FURNISH & INSTALL, SPLICE TRAY	EA																	1	
633-3-14	FIBER OPTIC CONNECTION HARDWARE, FURNISH & INSTALL, BUFFER TUBE FAN OUT KIT	EA									1						1		6	
633-3-16	FIBER OPTIC CONNECTION HARDWARE, F&I, PATCH PANEL-FIELD TERMINATED	EA									1				4		5		11	
633-3-17	FIBER OPTIC CONNECTION HARDWARE, F&I, CONNECTOR PANEL	EA									1						1		7	
633-6	FIBER OPTIC CABLE LOCATOR	DA																	1071	
635-2-11	PULL & SPLICE BOX, F&I, 13" x 24" COVER SIZE	EA																	2	
635-2-12	PULL & SPLICE BOX, F&I, 24" X 36" COVER SIZE	EA	1		3		1		2		1						8		45	
635-2-13	PULL & SPLICE BOX, F&I, 30" X 60" RECTANGULAR OR 36" ROUND COVER SIZE	EA									1						1		10	
639-1-122	ELECTRICAL POWER SERVICE, F&I, UNDERGROUND, METER PURCHASED BY CONTRACTOR	AS																	1	
639-2-1	ELECTRICAL SERVICE WIRE, FURNISH & INSTALL	LF																	40	
639-3-11	ELECTRICAL SERVICE DISCONNECT, F&I, POLE MOUNT	EA																	1	
639-6-2	ELECTRICAL POWER SERVICE- TRANSFORMER, REPLACE EXISTING	EA																	1	
641-2-11	PRESTRESSED CONCRETE POLE, F&I, TYPE P-11 PEDESTAL	EA																	1	
649-2-155	STEEL CCTV POLE, FURNISH & INSTALL WITH LOWERING DEVICE, 55'	EA																	1	
676-2-122	ITS CABINET, FURNISH & INSTALL, POLE MOUNT WITH SUNSHIELD, 336S, 24" W X 46" H X 22" D	EA																	1	
682-1-113	ITS CCTV CAMERA, F&I, DOME PTZ ENCLOSURE - PRESSURIZED, 1P, HIGH DEFINITION	EA									1						1		5	
684-1-1	MANAGED FIELD ETHERNET SWITCH, FURNISH & INSTALL	EA									1						1		5	
684-1-10	MANAGED FIELD ETHERNET SWITCH, LAYER 3, FURNISH & INSTALL	EA																	1	
685-1-12	UNINTERRUPTIBLEPOWER SUPPLY, FURNISH & INSTALL, ONLINE/DOUBLE CONVERSION	EA																	1	
685-2-1	REMOTE POWER MANAGEMENT UNIT-RPMU, FURNISH & INSTALL	EA																	2	

1/26/2023 1:04:13 PM rrodriguez c:\pwworking\jmt\rrrodriguez@jmt.com\d0156103\TAB01T01.dgn

THE OFFICIAL RECORD OF THIS SHEET IS THE ELECTRONIC FILE DIGITALLY SIGNED AND SEALED UNDER RULE 61G15-23.004, F.A.C.

<table border="1"> <thead> <tr> <th colspan="2">REVISIONS</th> <th colspan="2">ENGINEER OF RECORD</th> </tr> <tr> <th>DATE</th> <th>DESCRIPTION</th> <th>DATE</th> <th>DESCRIPTION</th> </tr> </thead> <tbody> <tr> <td> </td> <td> </td> <td> </td> <td> </td> </tr> </tbody> </table>				REVISIONS		ENGINEER OF RECORD		DATE	DESCRIPTION	DATE	DESCRIPTION					OSCEOLA COUNTY TRANSPORTATION & TRANSIT DEPARTMENT ROAD IDENTIFICATION: PARTIN SETTLEMENT RD. CONTRACT ID: PS-20-11504-DG		<b>TABULATION OF QUANTITIES (3)</b>	SHEET NO.
REVISIONS		ENGINEER OF RECORD																	
DATE	DESCRIPTION	DATE	DESCRIPTION																
RYAN P. BOGAN, P.E. LICENSE NUMBER 82217 JOHNSON, MIRMIRAN & THOMPSON 400 COLONIAL CENTER PKY, SUITE 100 LAKE MARY, FL 32746				IT-4															

GENERAL

1. "SPECIAL EVENTS" INCLUDE, BUT ARE NOT LIMITED TO: (SEE ROADWAY PLANS)

2. REMOVED ITS EQUIPMENT TO BE RETURNED TO OSCEOLA COUNTY - AARON TORRES (407) 738-9405, aaron.torres@osceola.org.

CONDUIT

3. BRACKETS AND SPACERS WHICH ARE REQUIRED TO OFFSET THE RIGID METAL CONDUIT FROM THE MOUNTING SHALL BE OF SIMILAR MATERIALS TO PREVENT CATHODIC REACTION.

4. INCLUDE FIBER OPTIC CABLE LOCATE WIRE WITH ALL ITS CONDUIT INSTALLATIONS.

PULL BOXES

5. ALL PULL AND SPLICE BOXES TO BE INSTALLED ADJACENT TO ITS POLES ON A SLOPE SHALL BE INSTALLED ON THE SIDE OF THE POLE WITH THE HIGHEST SLOPE.

6. THE MAXIMUM SPACING ALLOWED BETWEEN FIBER PULL BOXES WHEN PULLING FIBER IN 2" CONDUIT SHALL BE NO MORE THAN 1,000 FEET.

CABINET DETAILS

7. ALL SERIAL COMMUNICATIONS SHALL COMPLY WITH THE RS485 COMMUNICATIONS STANDARD AND WILL HAVE THE MINIMUM NUMBER OF ADAPTERS REQUIRED TO SUPPORT COMMUNICATIONS.

8. RS-232 SERIAL COMMUNICATIONS SHALL NOT BE USED AND WILL BE CONVERTED TO RS-485 WITH THE MINIMUM AMOUNT EQUIPMENT USED TO MAKE THE CONVERSION SO THAT THERE IS NO MORE THAN ONE CONVERSION AT EACH END.

9. IF MORE THAN 2 FIBER PORTS ARE NEEDED IN A CABINET TO SUPPORT COMMUNICATIONS THEN A 24 PORT SWITCH WILL BE USED INSTEAD OF MEDIA CONVERTERS.

10. ALL FORMS OF POWER OVER ETHERNET (POE) FROM THE ETHERNET SWITCH SHALL NOT BE ALLOWED. A POE INJECTOR MAY BE USED SO LONG AS IT IS A SEPARATE SOURCE OF POWER FROM THE ETHERNET SWITCH.

11. ALL MEDIA CONVERTERS AND OPTICS MUST SUPPORT A MINIMUM OF 1 GBPS. A MEDIA CONVERTER WILL NOT BE USED IF A FIBER PORT THAT CAN SUPPORT COMMUNICATION LINK IS AVAILABLE.

PATCH CORD NOTES

12. ALL FIBER PATCH CORDS WILL MEET THE FOLLOWING REQUIREMENTS:

1. EACH FIBER PATCH CORD SHALL HAVE AN LC CONNECTION TYPE (FOR NETWORK SWITCH) AT ONE END AND AN ST CONNECTION TYPE (FOR PATCH PANEL) AT THE OTHER END.
2. THERE WILL BE A SINGLE CONTINUOUS PATCH CORD BETWEEN THE TERMINATION IN THE PATCH PANEL AND THE NETWORK DEVICE. TWO OR MORE PATCH CORDS WITH A CONNECTOR WILL NOT BE ALLOWED.
3. PATCH CORDS WILL BE THE MINIMUM LENGTH REQUIRED PLUS ONE ADDITIONAL FOOT OF SLACK TO CONNECT THE NETWORK DEVICE TO THE PATCH PANEL WITH THE FOLLOWING EXCEPTIONS:
  - A. THE PATCH CORD WILL OCCUPY THE CABLE MANAGEMENT PATHS BETWEEN THE SWITCH AND THE PATCH PANEL.
  - B. THE PATCH CORD PLACEMENT MUST ALLOW COMPLIANCE WITH MINIMUM BEND RADIUS REQUIREMENTS.
4. EACH PATCH CORD WILL BE LABELED WITH THE SAME DESIGNATION AT BOTH ENDS FOR EASY IDENTIFICATION.
5. FIBER PATCH CORDS MUST BE TYPE DUPLEX WITH THE SHEATH BEING FACTORY CONNECTED FOR THE LENGTH OF THE CORD.
6. NO-DUPLEX TYPE FIBER PATCH CORDS ARE NOT ALLOWED.

13. CAT5 OR ANY OTHER COPPER PATCH CORD MUST MEET THE FOLLOWING REQUIREMENTS:

1. THERE WILL BE A SINGLE CONTINUOUS PATCH CORD BETWEEN THE DEVICE AND THE NETWORK SWITCH.
2. SPLICING OF COPPER CABLING IS NOT ALLOWED.
3. PATCH CORDS WILL BE THE MINIMUM LENGTH REQUIRED PLUS ONE ADDITIONAL FOOT OF SLACK TO CONNECT THE NETWORK SWITCH TO THE END DEVICE WITH THE FOLLOWING EXCEPTIONS:
  - A. THE PATCH CORD WILL OCCUPY THE CABLE MANAGEMENT PATHS BETWEEN THE SWITCH AND THE DEVICE.
  - B. THE PATCH CORD MUST BE LONG ENOUGH TO AVOID BEING CRIMPED BUT NOT 50 LONG AS TO ALLOW COILING OF THE CORD.
4. EACH PATCH CORD WILL HAVE A LABEL ON THE END CLOSEST TO THE SWITCH THAT IDENTIFIES THE DEVICE IT PROVIDES COMMUNICATIONS FOR.

CABLING NOTES

14. ZIP TIES ARE NOT ALLOWED ON ANY COMMUNICATIONS CABLING, IF CABLES NEED TO BE SECURED OUTSIDE THE CABLE MANAGEMENT EQUIPMENT (I.E. PANDUIT, NEAT PATCH, ETC), THEN VELCRO IS ACCEPTABLE FOR THIS PURPOSE.

15. FIBER CABLING WILL NOT BE COILED INSIDE THE CABINET. FIBER CABLE SLACK SHALL BE COILED IN THE PULL BOX OR SPLICE VAULT NEXT TO THE CABINET.

16. CONTRACTOR SHALL ENSURE REELS OF FIBER LONG ENOUGH TO INSTALL A CONTINUOUS UNBROKEN RUN FOR FIBER BACKBONES.

17. POWER CABLES AND COMMUNICATION CABLES WILL NOT OCCUPY THE SAME CABLE MANAGEMENT RACEWAY.

18. ALL UNUSED CABLES WILL BE REMOVED FROM THE CABINET AND CONDUIT, AS WELL AS ANY HOUSING THAT SUPPORTED THEM.

19. STRANDED WIRES THAT HAVE THE INSULATION STRIPPED IN ORDER TO ACCESS THE CONDUCTIVE MATERIAL WILL BE TINNED OR HAVE A TERMINAL CRIMPED ON THE END.

20. LOOSE WIRES THAT ARE NOT USED MUST BE CUT TO PROVIDE A CLEAN END OR DRESSED IN ORDER TO AVOID MAKING CONTACT WITH OTHER OBJECTS.

21. ALL FIBER PATCH CORDS MUST BE FACTORY TERMINATED AND POLISHED.

22. ALL COPPER PATCH CORDS MUST BE PROPERLY TERMINATED WITH THE SHEATH PROPERLY CRIMPED BY THE RJ45 HOUSING.

UTILITY NOTES:

23. THE LOCATION(S) OF THE UTILITIES SHOWN IN THE PLANS (INCLUDING THOSE DESIGNATED Vv, Vh, AND Vvh) ARE BASED ON LIMITED INVESTIGATION TECHNIQUES AND SHOULD BE CONSIDERED APPROXIMATE ONLY. THE VERIFIED LOCATIONS/ELEVATIONS APPLY ONLY AT THE POINTS SHOWN. INTERPOLATIONS BETWEEN THESE POINTS HAVE NOT BEEN VERIFIED.

UTILITY/AGENCY OWNERS:

(SEE ROADWAY PLANS)

FIBER NOTES:

24. CONTRACTOR TO SCHEDULE A PRE-SPLICE AND INTEGRATION MEETING WITH OSCEOLA COUNTY TWO WEEKS PRIOR TO PERFORMING ANY WORK. A FOC CUTOVER PLAN IS TO BE SUBMITTED TO OSCEOLA COUNTY AND FDOT TSM&O PRIOR TO THIS MEETING FOR REVIEW AT THE MEETING.

SUBMITTALS:

25. ALL SUBMITTAL DATA SHOULD BE SUBMITTED TO GHASSAN.CHOUEIRY P.E. AT (407) 742-0562, GHASSAN.CHOUEIRY@OSCEOLA.ORG, AARON.TORRES@OSCEOLA.ORG, AND LINDSEY.GIOVINAZZO@OSCEOLA.ORG.

MAINTENANCE OF TRAFFIC NOTES:

26. THE EXISTING POSTED SPEED IS TO BE MAINTAINED DURING CONSTRUCTION, EXCEPT DURING TRAFFIC PACING OPERATIONS. ALL SPEED LIMIT SIGNS ARE TO BE MAINTAINED THROUGHOUT THE CONSTRUCTION PERIOD.

27. THE CONTRACTOR SHALL INFORM THE OSCEOLA COUNTY EMERGENCY OPERATIONS CENTER (EOC), (407) 742-9000, PRIOR TO BEGINNING AND AFTER COMPLETION OF ANY AND ALL LANE CLOSURES AND/OR DETOURS ASSOCIATED WITH THE PROJECT.

28. NOTIFY OSCEOLA COUNTY TMC 21 DAYS PRIOR TO PACING OR LANE CLOSURE OPERATIONS.

29. LANE CLOSURE RESTRICTIONS: N/A

30. DOWNTIME OF FIBER OPTIC NETWORK CONNECTION TO EOC IS NOT TO EXCEED 4 HOURS. INSTALL AND TEST NEW FIBER TRUNK LINE CONNECTIONS PRIOR TO REMOVAL OF EXISTING FIBER TO MINIMIZE DOWNTIME.

PAY ITEM FOOTNOTES:

31. 630-2-11 SHALL INCLUDE THE CUTTING OF TREE ROOTS BELOW GRADE DURING UNDERGROUND CONDUIT INSTALLATION AT NO ADDITIONAL COST TO THE COUNTY. THE AREAS WHERE UNDERGROUND TREE ROOT SYSTEMS ARE EXPECTED TO AFFECT TRENCHING ARE SHOWN IN THESE PLANS. OTHER LOCATIONS MAY INCLUDE UNDERGROUND TREE ROOT SYSTEMS THAT ARE NOT REFLECTED IN THESE PLANS.

31. 684-1-1 SHALL PAY FOR FURNISHING AND INSTALLING AN ITS EXPRESS 8042-V3 WITH ALL OPTICS THAT ARE TO BE SIZED AND PROVIDED AS REQUIRED TO MEET THE PLANS AND SPECIFICATIONS.

LEGEND

<u>SYMBOLS</u>	<u>DESCRIPTION</u>
	ITS CONDUIT (OPEN TRENCH)
	ITS CONDUIT (DIRECTIONAL BORE)
	EXISTING ITS CONDUIT
	EXISTING FIBER OPTIC PULL BOX
	EXISTING FIBER OPTIC SPLICE VAULT
	PROPOSED FIBER OPTIC PULL BOX
	PROPOSED FIBER OPTIC SPLICE VAULT
	ITS CCTV CAMERA
	ITS POLE MOUNTED CABINET
(OC)	OSCEOLA COUNTY
(FDOT)	FLORIDA DEPARTMENT OF TRANSPORTATION

1/26/2023 1:04:50 PM yrrdriguez c:\pwworking\jmyrrdriguez@jmt.com\d0156103\GMMT101.dgn

THE OFFICIAL RECORD OF THIS SHEET IS THE ELECTRONIC FILE DIGITALLY SIGNED AND SEALED UNDER RULE 61G15-23.004, F.A.C.

<u>REVISIONS</u>				<u>ENGINEER OF RECORD</u>	<u>OSCEOLA COUNTY TRANSPORTATION &amp; TRANSIT DEPARTMENT</u>		<b>GENERAL NOTES</b>	<u>SHEET NO.</u>
<u>DATE</u>	<u>DESCRIPTION</u>	<u>DATE</u>	<u>DESCRIPTION</u>	RYAN P. BOGAN, P.E. LICENSE NUMBER 82217 JOHNSON, MIRMIRAN & THOMPSON 400 COLONIAL CENTER PKY, SUITE 100 LAKE MARY, FL 32746	<u>ROAD IDENTIFICATION</u>	<u>CONTRACT ID</u>		IT-5
					PARTIN SETTLEMENT RD.	PS-20-11504-DG		



1 RUN WITH 3-1.25" CONDUITS  
 96 STR FOC 

630-2-11	(1 RUN @ 600')
633-1-123	600 LF (OC)

200 LF COILED 

633-1-123	96 STR FOC
635-2-12	

  
 1 EA

1-4" HDPE OUTERDUCT  
 W/ 3-1.25" HDPE INNERDUCT  
 96 STR FOC 

630-2-12	(1 RUN @ 100')
633-1-123	100 LF (OC)

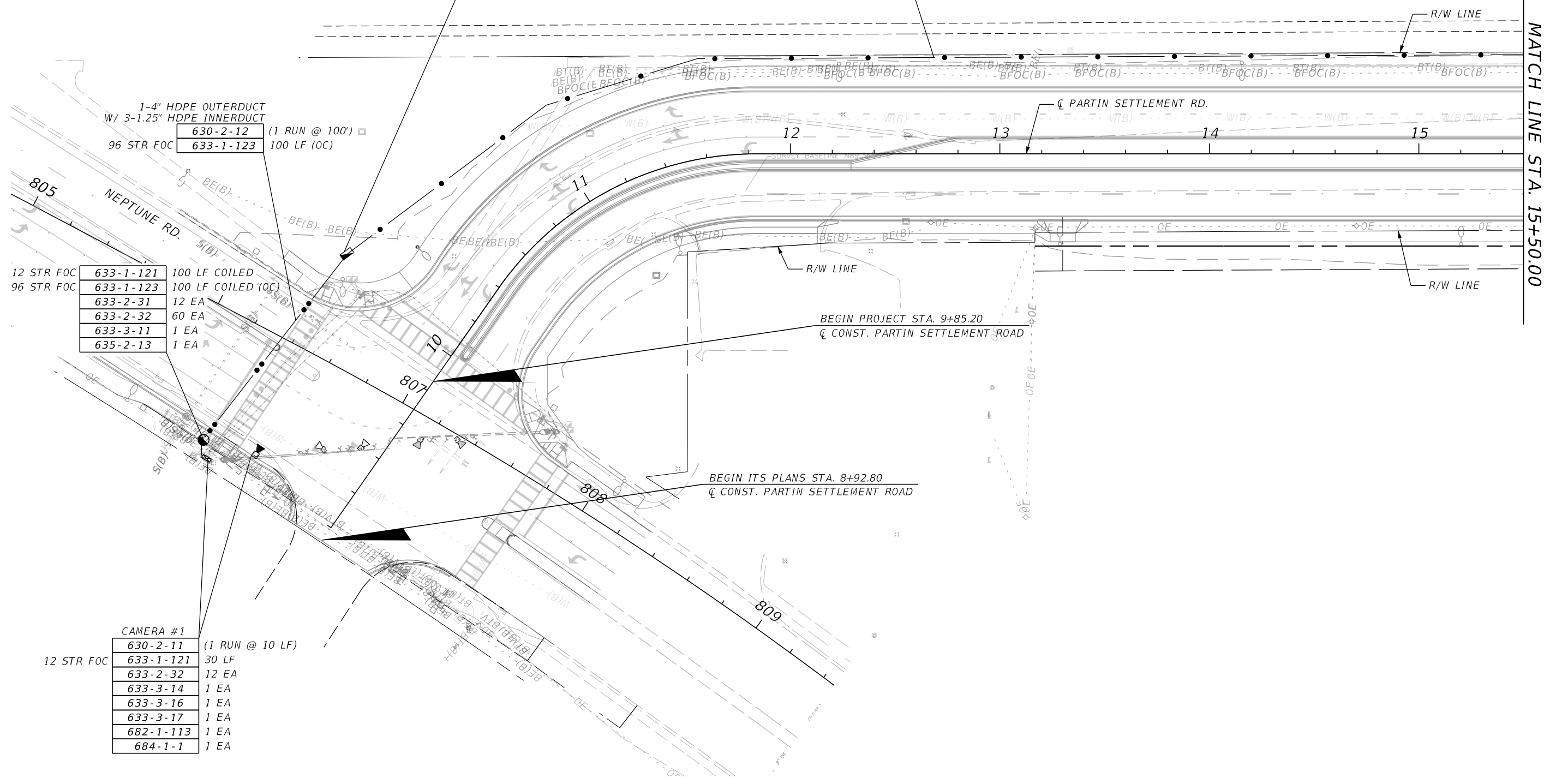
12 STR FOC 

633-1-121	100 LF COILED
633-1-123	100 LF COILED (OC)
633-2-31	12 EA
633-2-32	60 EA
633-3-11	1 EA
635-2-13	1 EA

  
 96 STR FOC

12 STR FOC 

CAMERA #1	
630-2-11	(1 RUN @ 10 LF)
633-1-121	30 LF
633-2-32	12 EA
633-3-14	1 EA
633-3-16	1 EA
633-3-17	1 EA
682-1-113	1 EA
684-1-1	1 EA



MATCH LINE STA. 15+50.00

REVISIONS		REVISIONS	
DATE	DESCRIPTION	DATE	DESCRIPTION

ENGINEER OF RECORD  
 RYAN P. BOGAN, P.E.  
 LICENSE NUMBER 82217  
 JOHNSON, MIRMIRAN & THOMPSON  
 400 COLONIAL CENTER PKY, SUITE 100  
 LAKE MARY, FL 32746

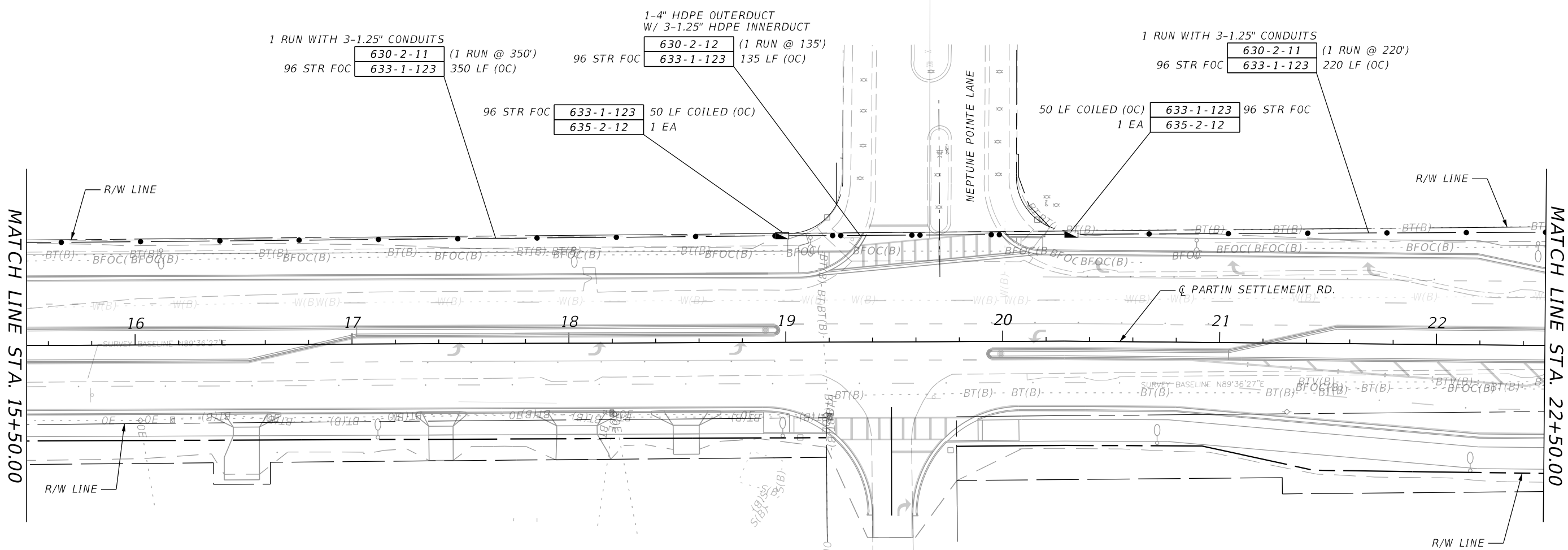
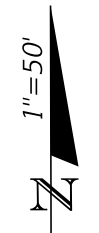
OSCEOLA COUNTY TRANSPORTATION & TRANSIT DEPARTMENT	
ROAD IDENTIFICATION	CONTRACT ID
PARTIN SETTLEMENT RD.	PS-20-11504-DG

**ITS PLAN (1)**

SHEET NO.  
IT-6

1/26/2023 1:05:48 PM rrodriguez c:\pwworking\jmn\rrrodriguez@jmt.com\d0156103\PLAN\IT01.dgn

THE OFFICIAL RECORD OF THIS SHEET IS THE ELECTRONIC FILE DIGITALLY SIGNED AND SEALED UNDER RULE 61G15-23.004, F.A.C.



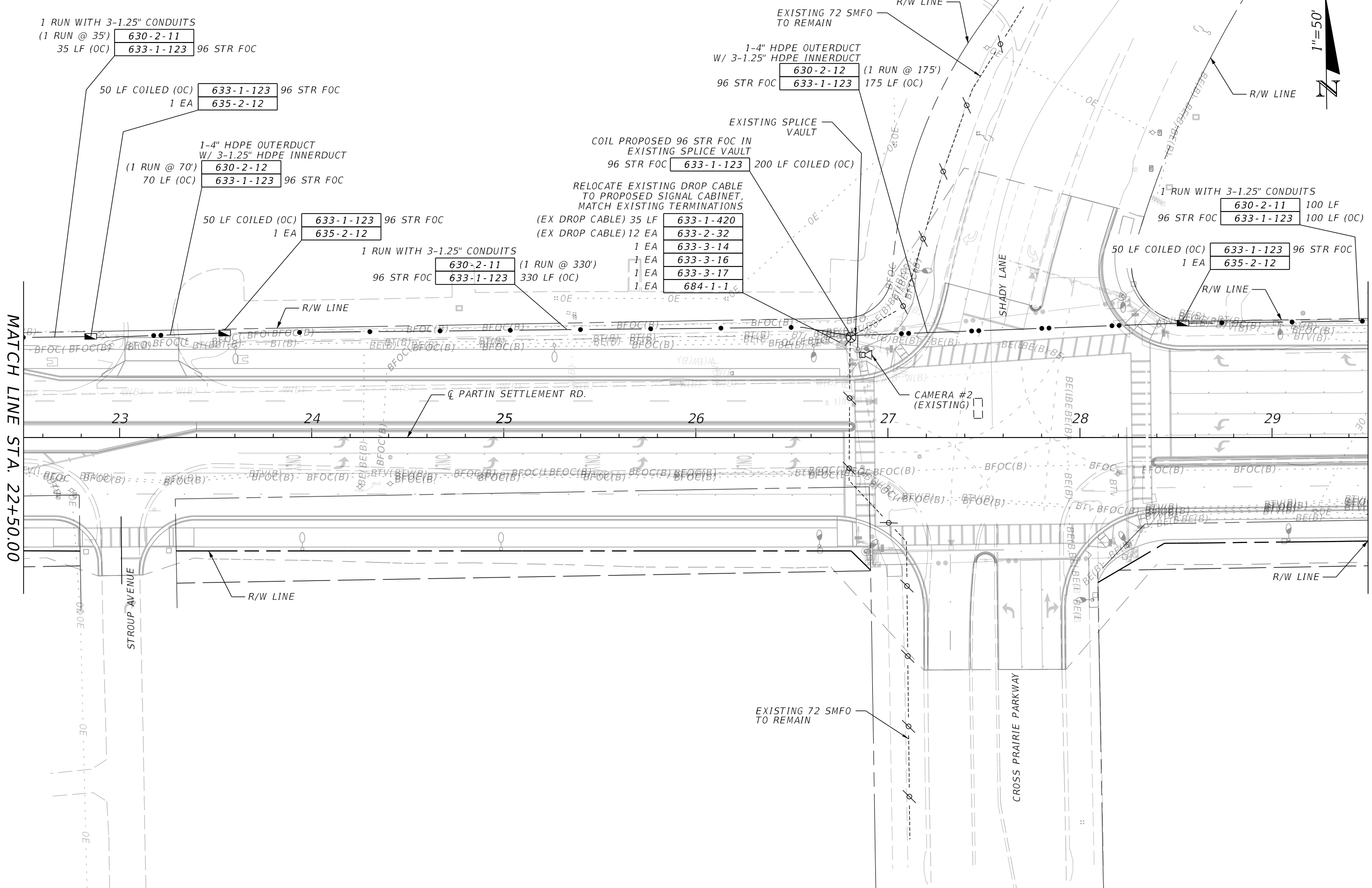
1/26/2023 1:05:49 PM rrodriguez  
 c:\pwworking\jmt\rrrodriguez@jmt.com\d0156103\PLAN\IT01.dgn

THE OFFICIAL RECORD OF THIS SHEET IS THE ELECTRONIC FILE DIGITALLY SIGNED AND SEALED UNDER RULE 61G15-23.004, F.A.C.

REVISIONS				ENGINEER OF RECORD		OSCEOLA COUNTY TRANSPORTATION & TRANSIT DEPARTMENT		SHEET NO.
DATE	DESCRIPTION	DATE	DESCRIPTION	RYAN P. BOGAN, P.E. LICENSE NUMBER 82217 JOHNSON, MIRMIRAN & THOMPSON 400 COLONIAL CENTER PKY, SUITE 100 LAKE MARY, FL 32746		ROAD IDENTIFICATION	CONTRACT ID	
						PARTIN SETTLEMENT RD.	PS-20-11504-DG	
<b>ITS PLAN (2)</b>								IT-7

MATCH LINE STA. 22+50.00

MATCH LINE STA. 29+50.00

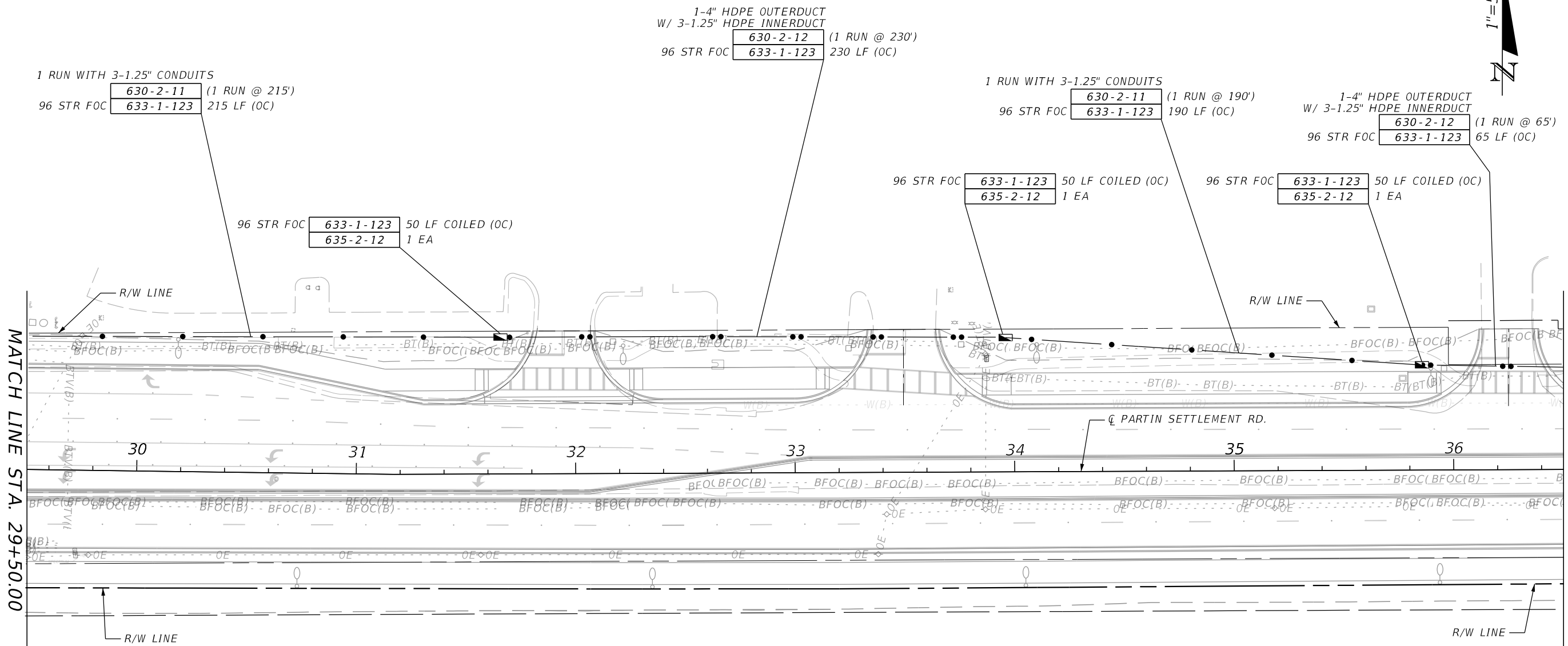


1/26/2023 1:05:50 PM rrodriguez  
c:\pwworking\jmt\rrrodriguez@jmt.com\d0156103\PLAN\IT01.dgn

REVISIONS		ENGINEER OF RECORD		OSCEOLA COUNTY TRANSPORTATION & TRANSIT DEPARTMENT		SHEET NO.
DATE	DESCRIPTION	DATE	DESCRIPTION	ROAD IDENTIFICATION	CONTRACT ID	
			RYAN P. BOGAN, P.E. LICENSE NUMBER 82217 JOHNSON, MIRMIRAN & THOMPSON 400 COLONIAL CENTER PKY, SUITE 100 LAKE MARY, FL 32746	PARTIN SETTLEMENT RD.	PS-20-11504-DG	

ITS PLAN (3)

THE OFFICIAL RECORD OF THIS SHEET IS THE ELECTRONIC FILE DIGITALLY SIGNED AND SEALED UNDER RULE 61G15-23.004, F.A.C.



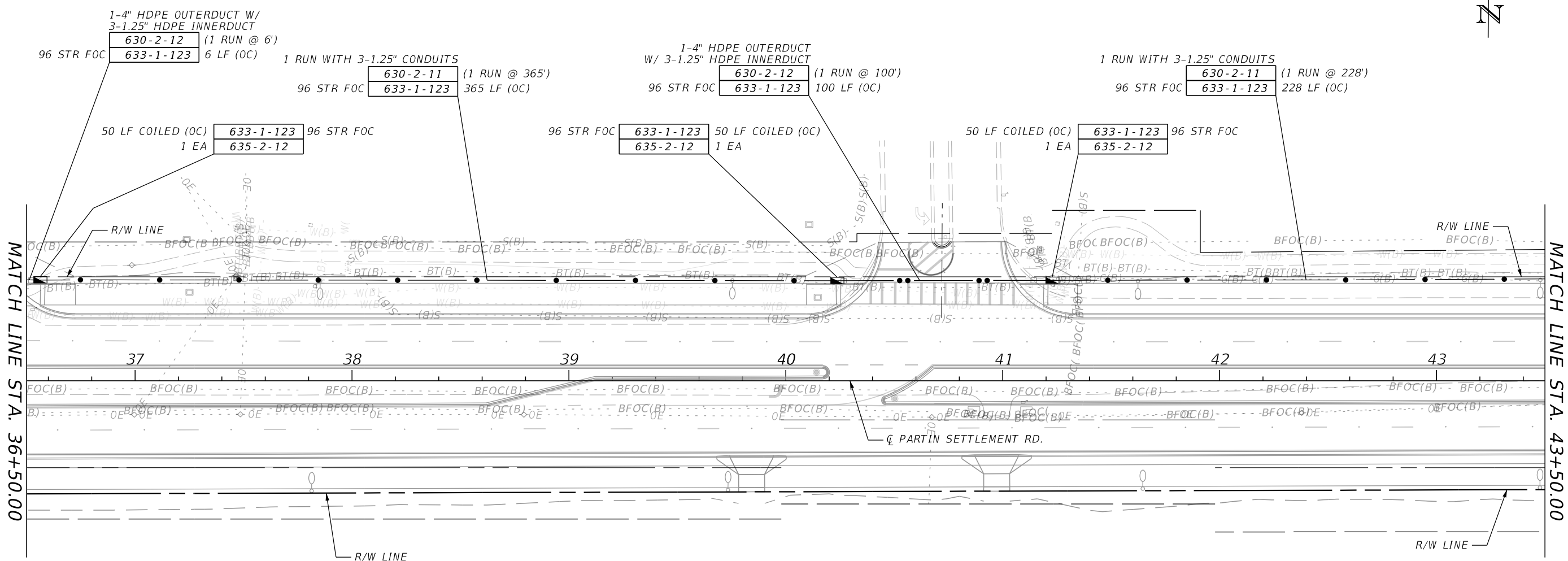
MATCH LINE STA. 29+50.00

MATCH LINE STA. 36+50.00

1/26/2023 1:05:51 PM rrodriguez  
c:\pwworking\jmt\rrrodriguez@jmt.com\d0156103\PLAN\IT01.dgn

THE OFFICIAL RECORD OF THIS SHEET IS THE ELECTRONIC FILE DIGITALLY SIGNED AND SEALED UNDER RULE 61G15-23.004, F.A.C.

REVISIONS				ENGINEER OF RECORD		OSCEOLA COUNTY TRANSPORTATION & TRANSIT DEPARTMENT		SHEET NO.
DATE	DESCRIPTION	DATE	DESCRIPTION	RYAN P. BOGAN, P.E. LICENSE NUMBER 82217 JOHNSON, MIRMIRAN & THOMPSON 400 COLONIAL CENTER PKY, SUITE 100 LAKE MARY, FL 32746		ROAD IDENTIFICATION	CONTRACT ID	
						PARTIN SETTLEMENT RD.	PS-20-11504-DG	
<b>ITS PLAN (4)</b>								IT-9



MATCH LINE STA. 36+50.00

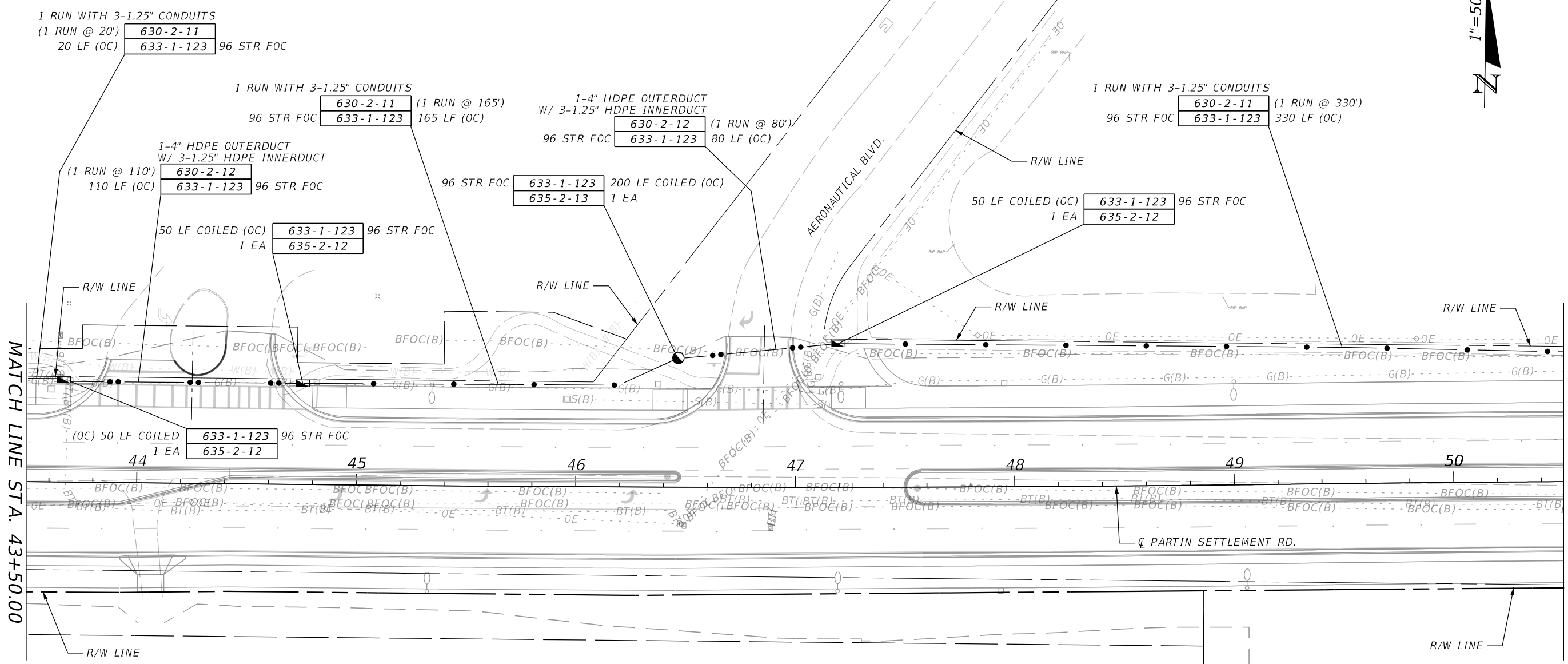
MATCH LINE STA. 43+50.00

1/26/2023 1:05:52 PM rrodriguez c:\pwworking\jmt\rrrodriguez@jmt.com\d0156103\PLAN\IT01.dgn

REVISIONS				ENGINEER OF RECORD		OSCEOLA COUNTY TRANSPORTATION & TRANSIT DEPARTMENT		SHEET NO.
DATE	DESCRIPTION	DATE	DESCRIPTION	RYAN P. BOGAN, P.E. LICENSE NUMBER 82217 JOHNSON, MIRMIRAN & THOMPSON 400 COLONIAL CENTER PKY, SUITE 100 LAKE MARY, FL 32746		ROAD IDENTIFICATION	CONTRACT ID	
						PARTIN SETTLEMENT RD.	PS-20-11504-DG	
<b>ITS PLAN (5)</b>								IT-10

THE OFFICIAL RECORD OF THIS SHEET IS THE ELECTRONIC FILE DIGITALLY SIGNED AND SEALED UNDER RULE 61G15-23.004, F.A.C.





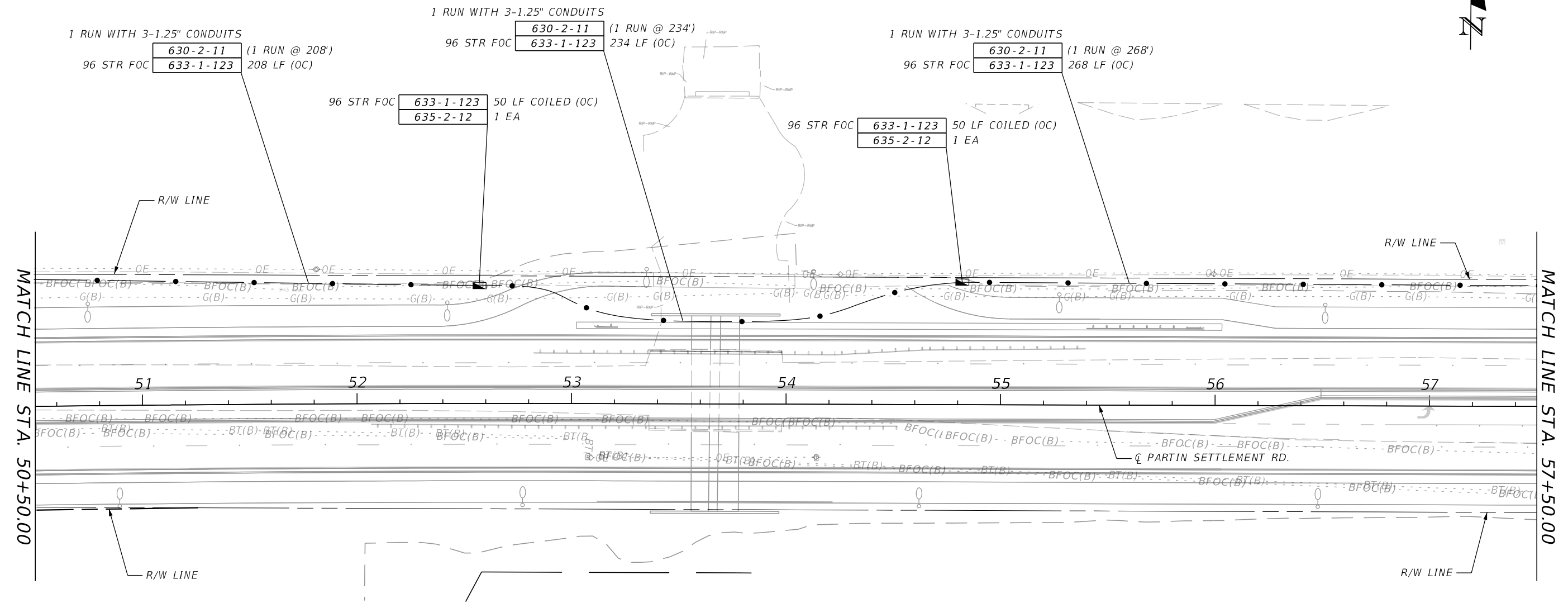
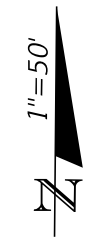
MATCH LINE STA. 43+50.00

MATCH LINE STA. 50+50.00

1/26/2023 1:05:53 PM rrodriguez  
c:\pwworking\jmt\rrrodriguez@jmt.com\d0156103\PLAN\IT01.dgn

REVISIONS				ENGINEER OF RECORD		OSCEOLA COUNTY TRANSPORTATION & TRANSIT DEPARTMENT		SHEET NO.
DATE	DESCRIPTION	DATE	DESCRIPTION	RYAN P. BOGAN, P.E. LICENSE NUMBER 82217 JOHNSON, MIRMIRAN & THOMPSON 400 COLONIAL CENTER PKY, SUITE 100 LAKE MARY, FL 32746		ROAD IDENTIFICATION	CONTRACT ID	
						PARTIN SETTLEMENT RD.	PS-20-11504-DG	
<b>ITS PLAN (6)</b>								IT-11

THE OFFICIAL RECORD OF THIS SHEET IS THE ELECTRONIC FILE DIGITALLY SIGNED AND SEALED UNDER RULE 61G15-23.004, F.A.C.



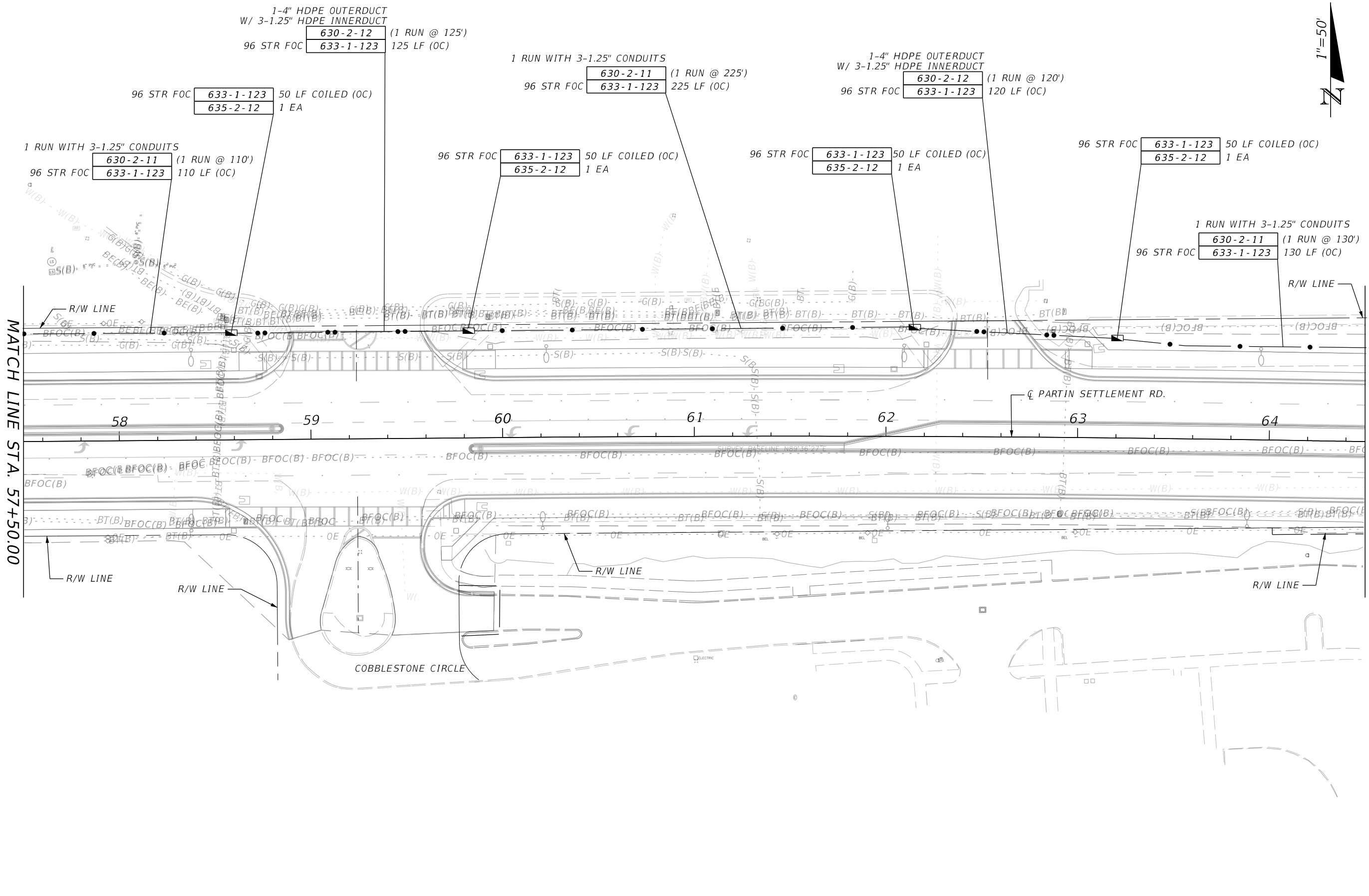
MATCH LINE STA. 50+50.00

MATCH LINE STA. 57+50.00

1/26/2023 1:05:54 PM rrodriguez  
c:\pwworking\jmt\rrrodriguez@jmt.com\d0156103\PLAN\IT01.dgn

REVISIONS				ENGINEER OF RECORD		OSCEOLA COUNTY TRANSPORTATION & TRANSIT DEPARTMENT		SHEET NO.
DATE	DESCRIPTION	DATE	DESCRIPTION	RYAN P. BOGAN, P.E. LICENSE NUMBER 82217 JOHNSON, MIRMIRAN & THOMPSON 400 COLONIAL CENTER PKY, SUITE 100 LAKE MARY, FL 32746		ROAD IDENTIFICATION	CONTRACT ID	
						PARTIN SETTLEMENT RD.	PS-20-11504-DG	
<b>ITS PLAN (7)</b>								IT-12

THE OFFICIAL RECORD OF THIS SHEET IS THE ELECTRONIC FILE DIGITALLY SIGNED AND SEALED UNDER RULE 61G15-23.004, F.A.C.



1-4" HDPE OUTERDUCT  
W/ 3-1.25" HDPE INNERDUCT  
96 STR FOC **630-2-12** (1 RUN @ 125')  
**633-1-123** 125 LF (OC)

1 RUN WITH 3-1.25" CONDUITS  
96 STR FOC **630-2-11** (1 RUN @ 225')  
**633-1-123** 225 LF (OC)

1-4" HDPE OUTERDUCT  
W/ 3-1.25" HDPE INNERDUCT  
96 STR FOC **630-2-12** (1 RUN @ 120')  
**633-1-123** 120 LF (OC)

96 STR FOC **633-1-123** 50 LF COILED (OC)  
**635-2-12** 1 EA

1 RUN WITH 3-1.25" CONDUITS  
96 STR FOC **630-2-11** (1 RUN @ 110')  
**633-1-123** 110 LF (OC)

96 STR FOC **633-1-123** 50 LF COILED (OC)  
**635-2-12** 1 EA

96 STR FOC **633-1-123** 50 LF COILED (OC)  
**635-2-12** 1 EA

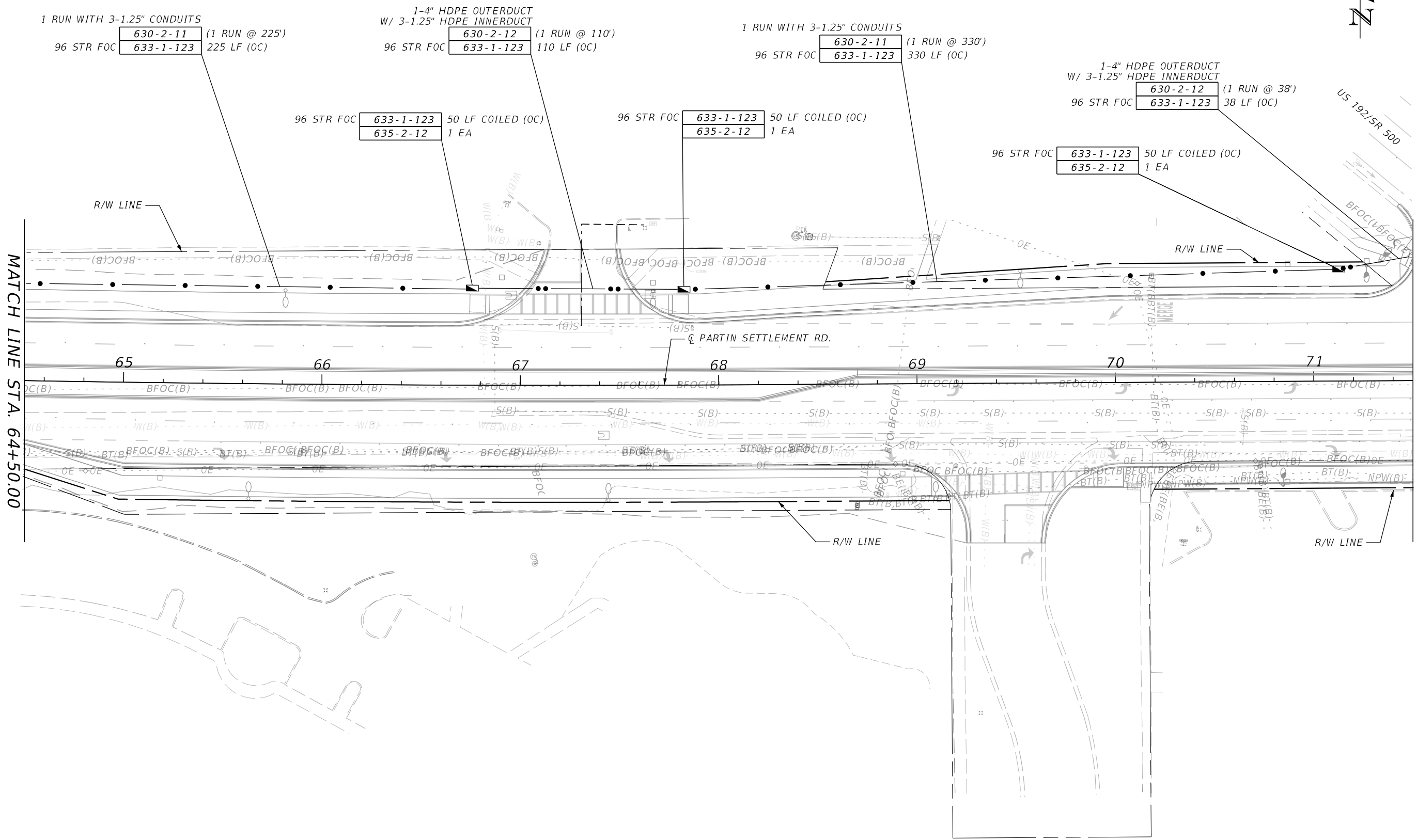
96 STR FOC **633-1-123** 50 LF COILED (OC)  
**635-2-12** 1 EA

1 RUN WITH 3-1.25" CONDUITS  
96 STR FOC **630-2-11** (1 RUN @ 130')  
**633-1-123** 130 LF (OC)

1/26/2023 1:05:58 PM rrodriguez c:\pwworking\jmrrodriguez@jmt.com\d0156103\PLAN\IT01.dgn

REVISIONS				ENGINEER OF RECORD		OSCEOLA COUNTY TRANSPORTATION & TRANSIT DEPARTMENT		SHEET NO.
DATE	DESCRIPTION	DATE	DESCRIPTION	RYAN P. BOGAN, P.E. LICENSE NUMBER 82217 JOHNSON, MIRMIRAN & THOMPSON 400 COLONIAL CENTER PKY, SUITE 100 LAKE MARY, FL 32746		ROAD IDENTIFICATION	CONTRACT ID	
						PARTIN SETTLEMENT RD.	PS-20-11504-DG	
<b>ITS PLAN (8)</b>								IT-13

THE OFFICIAL RECORD OF THIS SHEET IS THE ELECTRONIC FILE DIGITALLY SIGNED AND SEALED UNDER RULE 61G15-23.004, F.A.C.



1 RUN WITH 3-1.25" CONDUITS  
 96 STR FOC 

630-2-11	(1 RUN @ 225')
633-1-123	225 LF (OC)

1-4" HDPE OUTERDUCT  
 W/ 3-1.25" HDPE INNERDUCT  
 96 STR FOC 

630-2-12	(1 RUN @ 110')
633-1-123	110 LF (OC)

1 RUN WITH 3-1.25" CONDUITS  
 96 STR FOC 

630-2-11	(1 RUN @ 330')
633-1-123	330 LF (OC)

1-4" HDPE OUTERDUCT  
 W/ 3-1.25" HDPE INNERDUCT  
 96 STR FOC 

630-2-12	(1 RUN @ 38')
633-1-123	38 LF (OC)

96 STR FOC 

633-1-123	50 LF COILED (OC)
635-2-12	1 EA

96 STR FOC 

633-1-123	50 LF COILED (OC)
635-2-12	1 EA

96 STR FOC 

633-1-123	50 LF COILED (OC)
635-2-12	1 EA

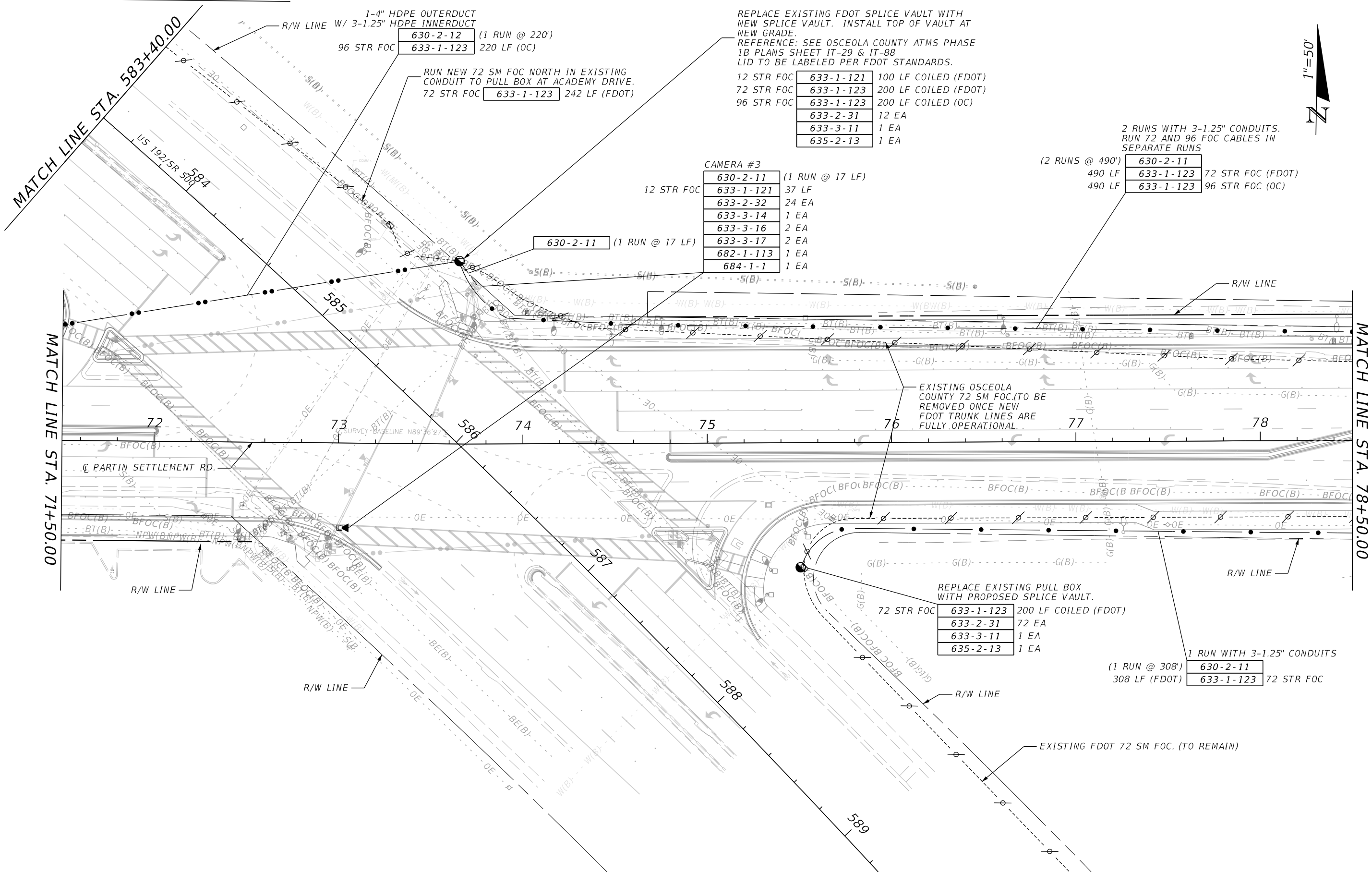
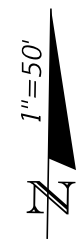
MATCH LINE STA. 64+50.00

MATCH LINE STA. 71+50.00

1/26/2023 1:06:02 PM rrodriguez c:\pwworking\jmt\rrrodriguez@jmt.com\d0156103\PLAN\IT01.dgn

REVISIONS				ENGINEER OF RECORD		OSCEOLA COUNTY TRANSPORTATION & TRANSIT DEPARTMENT		SHEET NO.
DATE	DESCRIPTION	DATE	DESCRIPTION	RYAN P. BOGAN, P.E. LICENSE NUMBER 82217 JOHNSON, MIRMIRAN & THOMPSON 400 COLONIAL CENTER PKY, SUITE 100 LAKE MARY, FL 32746		ROAD IDENTIFICATION	CONTRACT ID	
						PARTIN SETTLEMENT RD.	PS-20-11504-DG	
<b>ITS PLAN (9)</b>								IT-14

THE OFFICIAL RECORD OF THIS SHEET IS THE ELECTRONIC FILE DIGITALLY SIGNED AND SEALED UNDER RULE 61G15-23.004, F.A.C.



1-4" HDPE OUTERDUCT  
R/W LINE W/ 3-1.25" HDPE INNERDUCT  
96 STR FOC 

630-2-12	(1 RUN @ 220')
633-1-123	220 LF (OC)

RUN NEW 72 SM FOC NORTH IN EXISTING  
CONDUIT TO PULL BOX AT ACADEMY DRIVE.  
72 STR FOC 

633-1-123	242 LF (FDOT)
-----------	---------------

REPLACE EXISTING FDOT SPLICE VAULT WITH  
NEW SPLICE VAULT. INSTALL TOP OF VAULT AT  
NEW GRADE.  
REFERENCE: SEE OSCEOLA COUNTY ATMS PHASE  
1B PLANS SHEET IT-29 & IT-88  
LID TO BE LABELED PER FDOT STANDARDS.

12 STR FOC 

633-1-121	100 LF COILED (FDOT)
633-1-123	200 LF COILED (FDOT)
633-1-123	200 LF COILED (OC)
633-2-31	12 EA
633-3-11	1 EA
635-2-13	1 EA

CAMERA #3  
12 STR FOC 

630-2-11	(1 RUN @ 17 LF)
633-1-121	37 LF
633-2-32	24 EA
633-3-14	1 EA
633-3-16	2 EA
633-3-17	2 EA
682-1-113	1 EA
684-1-1	1 EA

2 RUNS WITH 3-1.25" CONDUITS.  
RUN 72 AND 96 FOC CABLES IN  
SEPARATE RUNS  
(2 RUNS @ 490') 

630-2-11	72 STR FOC (FDOT)
633-1-123	72 STR FOC (FDOT)
633-1-123	96 STR FOC (OC)

EXISTING OSCEOLA  
COUNTY 72 SM FOC.(TO BE  
REMOVED ONCE NEW  
FDOT TRUNK LINES ARE  
FULLY OPERATIONAL.

REPLACE EXISTING PULL BOX  
WITH PROPOSED SPLICE VAULT.  
72 STR FOC 

633-1-123	200 LF COILED (FDOT)
633-2-31	72 EA
633-3-11	1 EA
635-2-13	1 EA

1 RUN WITH 3-1.25" CONDUITS  
(1 RUN @ 308') 

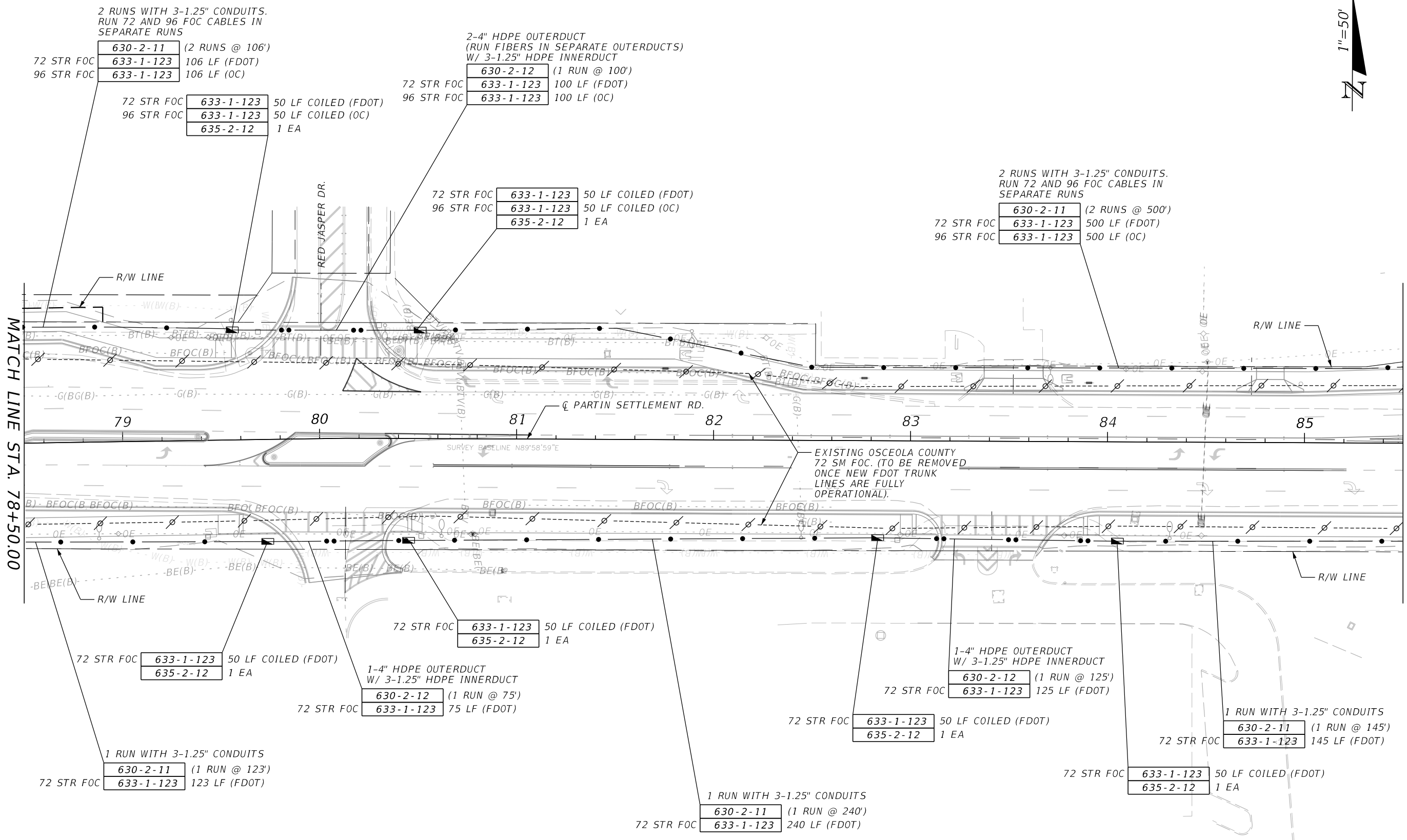
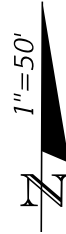
630-2-11	72 STR FOC
633-1-123	72 STR FOC

  
308 LF (FDOT)

1/26/2023 1:06:07 PM rrodriguez  
c:\pwworking\jmt\rrrodriguez@jmt.com\d0156103\PLAN\IT01.dgn

REVISIONS				ENGINEER OF RECORD		OSCEOLA COUNTY TRANSPORTATION & TRANSIT DEPARTMENT		SHEET NO.
DATE	DESCRIPTION	DATE	DESCRIPTION	ROAD IDENTIFICATION		CONTRACT ID		
				RYAN P. BOGAN, P.E. LICENSE NUMBER 82217 JOHNSON, MIRMIRAN & THOMPSON 400 COLONIAL CENTER PKY, SUITE 100 LAKE MARY, FL 32746		PARTIN SETTLEMENT RD.	PS-20-11504-DG	
<b>ITS PLAN (10)</b>								IT-15

THE OFFICIAL RECORD OF THIS SHEET IS THE ELECTRONIC FILE DIGITALLY SIGNED AND SEALED UNDER RULE 61G15-23.004, F.A.C.



2 RUNS WITH 3-1.25" CONDUITS.  
RUN 72 AND 96 FOC CABLES IN  
SEPARATE RUNS

72 STR FOC 630-2-11 (2 RUNS @ 106')  
633-1-123 106 LF (FDOT)  
96 STR FOC 633-1-123 106 LF (OC)

72 STR FOC 633-1-123 50 LF COILED (FDOT)  
96 STR FOC 633-1-123 50 LF COILED (OC)  
635-2-12 1 EA

2-4" HDPE OUTERDUCT  
(RUN FIBERS IN SEPARATE OUTERDUCTS)  
W/ 3-1.25" HDPE INNERDUCT

72 STR FOC 630-2-12 (1 RUN @ 100')  
96 STR FOC 633-1-123 100 LF (FDOT)  
633-1-123 100 LF (OC)

72 STR FOC 633-1-123 50 LF COILED (FDOT)  
96 STR FOC 633-1-123 50 LF COILED (OC)  
635-2-12 1 EA

2 RUNS WITH 3-1.25" CONDUITS.  
RUN 72 AND 96 FOC CABLES IN  
SEPARATE RUNS

72 STR FOC 630-2-11 (2 RUNS @ 500')  
633-1-123 500 LF (FDOT)  
96 STR FOC 633-1-123 500 LF (OC)

EXISTING OSCEOLA COUNTY  
72 SM FOC. (TO BE REMOVED  
ONCE NEW FDOT TRUNK  
LINES ARE FULLY  
OPERATIONAL).

72 STR FOC 633-1-123 50 LF COILED (FDOT)  
635-2-12 1 EA

1-4" HDPE OUTERDUCT  
W/ 3-1.25" HDPE INNERDUCT  
72 STR FOC 630-2-12 (1 RUN @ 75')  
633-1-123 75 LF (FDOT)

1-4" HDPE OUTERDUCT  
W/ 3-1.25" HDPE INNERDUCT  
72 STR FOC 630-2-12 (1 RUN @ 125')  
633-1-123 125 LF (FDOT)

72 STR FOC 633-1-123 50 LF COILED (FDOT)  
635-2-12 1 EA

1 RUN WITH 3-1.25" CONDUITS  
72 STR FOC 630-2-11 (1 RUN @ 145')  
633-1-123 145 LF (FDOT)

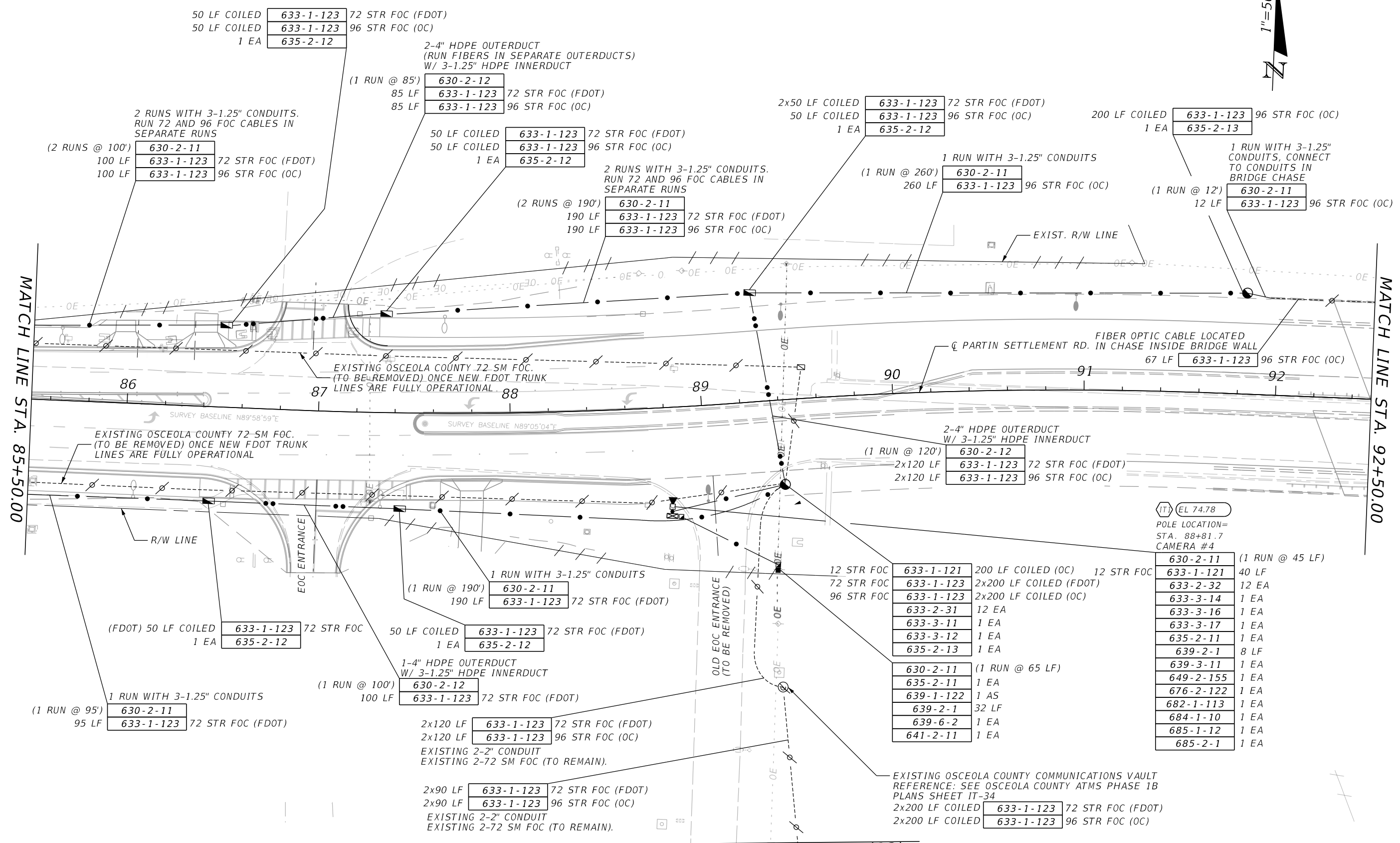
1 RUN WITH 3-1.25" CONDUITS  
72 STR FOC 630-2-11 (1 RUN @ 123')  
633-1-123 123 LF (FDOT)

1 RUN WITH 3-1.25" CONDUITS  
72 STR FOC 630-2-11 (1 RUN @ 240')  
633-1-123 240 LF (FDOT)

1/26/2023 1:06:13 PM rrodriguez c:\pwworking\jmt\rrrodriguez@jmt.com\d0156103\PLAN\IT01.dgn

REVISIONS				ENGINEER OF RECORD		OSCEOLA COUNTY TRANSPORTATION & TRANSIT DEPARTMENT		SHEET NO.
DATE	DESCRIPTION	DATE	DESCRIPTION	RYAN P. BOGAN, P.E. LICENSE NUMBER 82217 JOHNSON, MIRMIRAN & THOMPSON 400 COLONIAL CENTER PKY, SUITE 100 LAKE MARY, FL 32746		ROAD IDENTIFICATION	CONTRACT ID	
						PARTIN SETTLEMENT RD.	PS-20-11504-DG	
<b>ITS PLAN (11)</b>								IT-16

THE OFFICIAL RECORD OF THIS SHEET IS THE ELECTRONIC FILE DIGITALLY SIGNED AND SEALED UNDER RULE 61G15-23.004, F.A.C.



(IT) EL 74.78  
 POLE LOCATION =  
 STA. 88+81.7  
 CAMERA #4

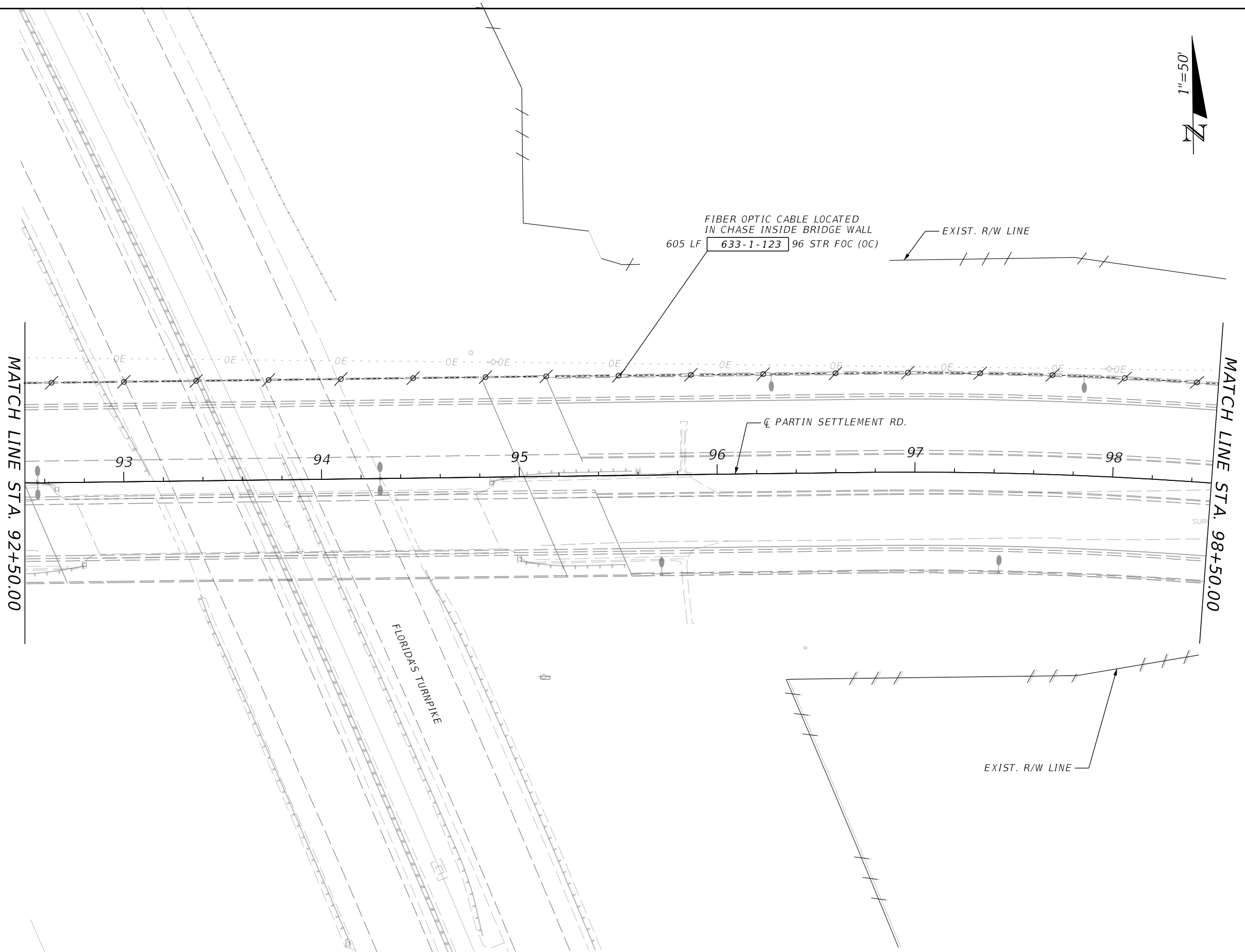
12 STR FOC	633-1-121	200 LF COILED (OC)	12 STR FOC	630-2-11	(1 RUN @ 45 LF)
72 STR FOC	633-1-123	2x200 LF COILED (FDOT)		633-1-121	40 LF
96 STR FOC	633-1-123	2x200 LF COILED (OC)		633-2-32	12 EA
	633-2-31	12 EA		633-3-14	1 EA
	633-3-11	1 EA		633-3-16	1 EA
	633-3-12	1 EA		633-3-17	1 EA
	635-2-13	1 EA		635-2-11	1 EA
	630-2-11	(1 RUN @ 65 LF)		639-2-1	8 LF
	635-2-11	1 EA		639-3-11	1 EA
	639-1-122	1 AS		649-2-155	1 EA
	639-2-1	32 LF		676-2-122	1 EA
	639-6-2	1 EA		682-1-113	1 EA
	641-2-11	1 EA		684-1-10	1 EA
				685-1-12	1 EA
				685-2-1	1 EA

**MATCH LINE ITS PLAN (23)**

REVISIONS				ENGINEER OF RECORD		OSCEOLA COUNTY TRANSPORTATION & TRANSIT DEPARTMENT		SHEET NO.
DATE	DESCRIPTION	DATE	DESCRIPTION	RYAN P. BOGAN, P.E. LICENSE NUMBER 82217 JOHNSON, MIRMIRAN & THOMPSON 400 COLONIAL CENTER PKY, SUITE 100 LAKE MARY, FL 32746		ROAD IDENTIFICATION	CONTRACT ID	
						PARTIN SETTLEMENT RD.	PS-20-11504-DG	
<b>ITS PLAN (12)</b>								IT-17

1/26/2023 1:06:18 PM rrodriguez  
 c:\pwworking\jmt\rrrodriguez@jmt.com\d0156103\PLAN\IT01.dgn

THE OFFICIAL RECORD OF THIS SHEET IS THE ELECTRONIC FILE DIGITALLY SIGNED AND SEALED UNDER RULE 61G15-23.004, F.A.C.

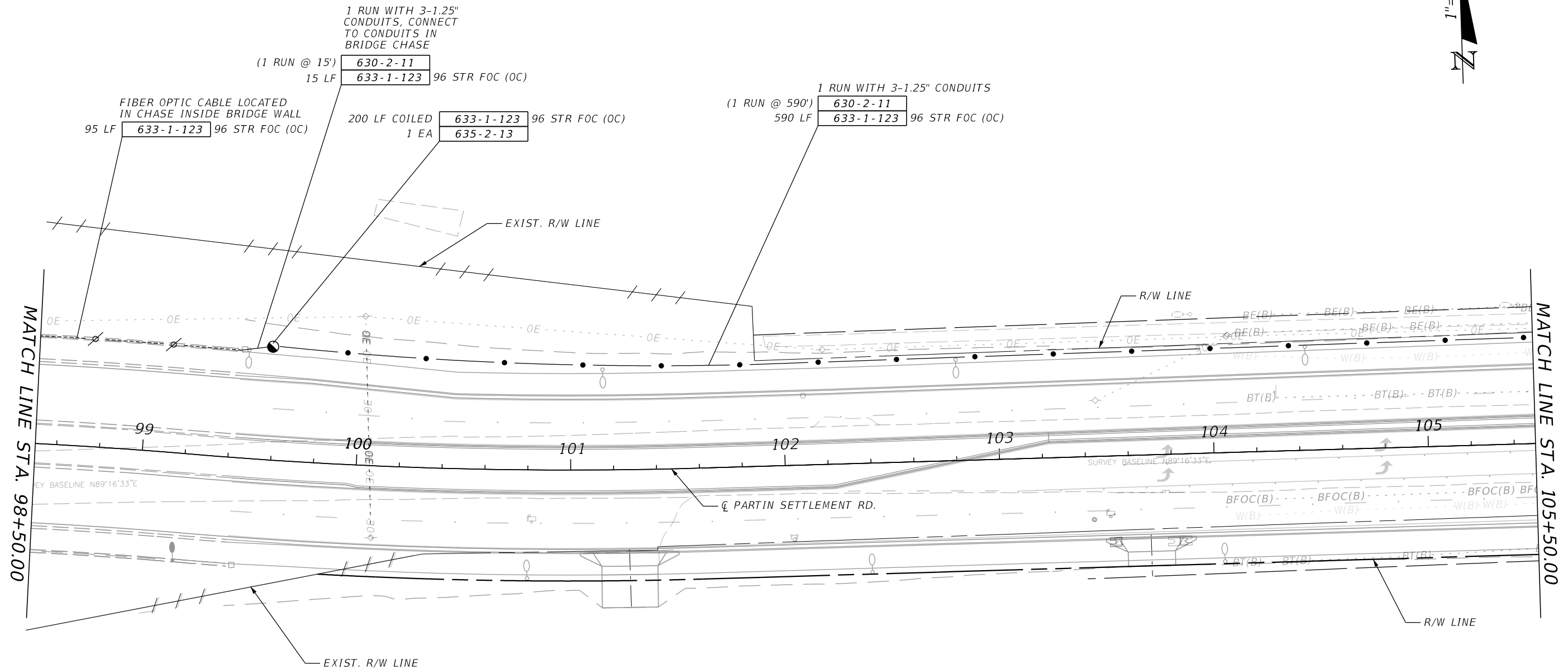


1/26/2023 1:06:19 PM rrodriguez  
 c:\pwworking\jmt\rrrodriguez@jmt.com\d0156103\PLAN\IT01.dgn

REVISIONS				ENGINEER OF RECORD		OSCEOLA COUNTY TRANSPORTATION & TRANSIT DEPARTMENT		<i>ITS PLAN (13)</i>	SHEET NO.
DATE	DESCRIPTION	DATE	DESCRIPTION	RYAN P. BOGAN, P.E. LICENSE NUMBER 82217 JOHNSON, MIRMIRAN & THOMPSON 400 COLONIAL CENTER PKY, SUITE 100 LAKE MARY, FL 32746		ROAD IDENTIFICATION	CONTRACT ID		IT-18
						PARTIN SETTLEMENT RD.	PS-20-11504-DG		

THE OFFICIAL RECORD OF THIS SHEET IS THE ELECTRONIC FILE DIGITALLY SIGNED AND SEALED UNDER RULE 61G15-23.004, F.A.C.

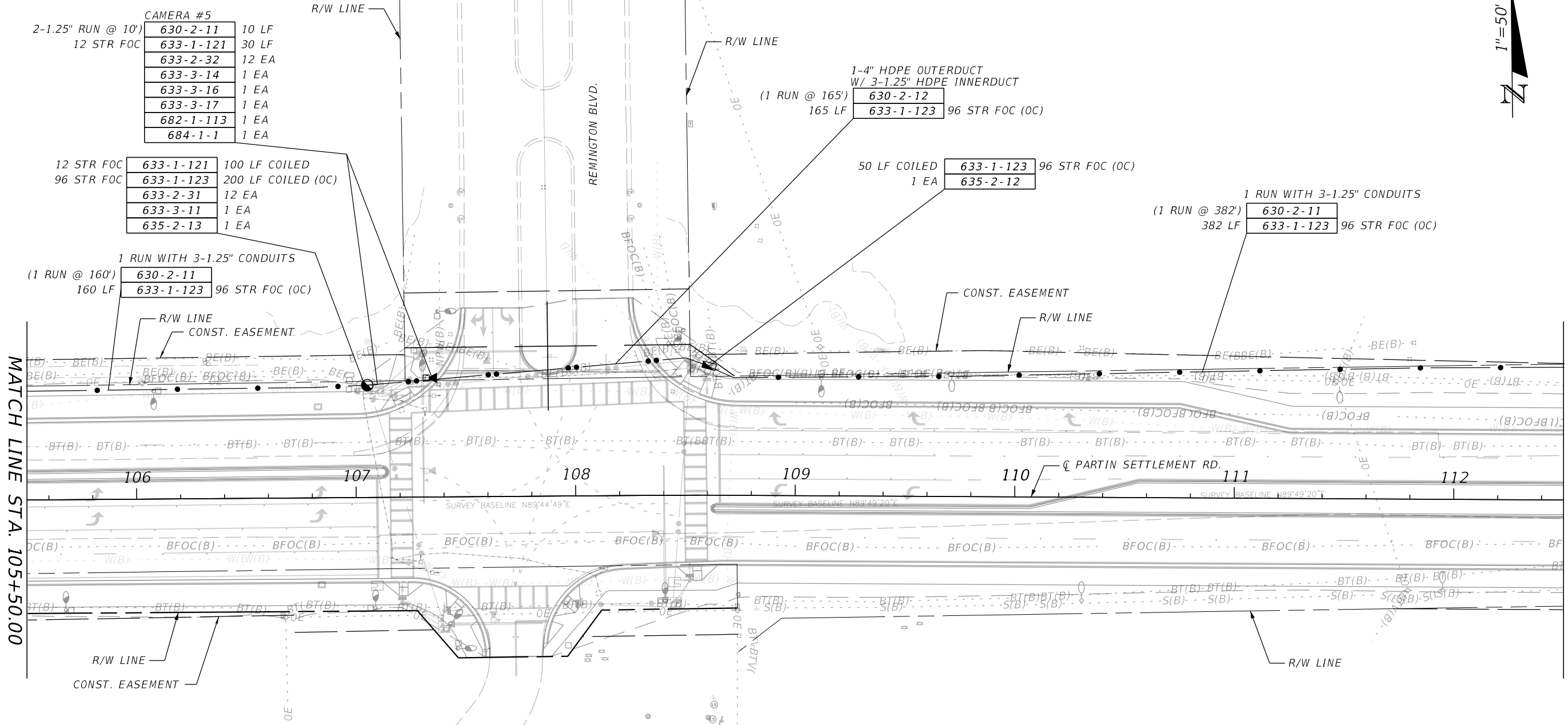
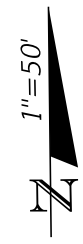




1/26/2023 1:06:20 PM rrodriguez  
 c:\pwworking\jmt\rrrodriguez@jmt.com\d0156103\PLAN\IT01.dgn

REVISIONS				ENGINEER OF RECORD		OSCEOLA COUNTY TRANSPORTATION & TRANSIT DEPARTMENT		<b>ITS PLAN (14)</b>	SHEET NO.
DATE	DESCRIPTION	DATE	DESCRIPTION	RYAN P. BOGAN, P.E. LICENSE NUMBER 82217 JOHNSON, MIRMIRAN & THOMPSON 400 COLONIAL CENTER PKY, SUITE 100 LAKE MARY, FL 32746		ROAD IDENTIFICATION	CONTRACT ID		IT-19
						PARTIN SETTLEMENT RD.	PS-20-11504-DG		

THE OFFICIAL RECORD OF THIS SHEET IS THE ELECTRONIC FILE DIGITALLY SIGNED AND SEALED UNDER RULE 61G15-23.004, F.A.C.



CAMERA #5

2-1.25" RUN @ 10'	630-2-11	10 LF
12 STR FOC	633-1-121	30 LF
	633-2-32	12 EA
	633-3-14	1 EA
	633-3-16	1 EA
	633-3-17	1 EA
	682-1-113	1 EA
	684-1-1	1 EA

12 STR FOC	633-1-121	100 LF COILED
96 STR FOC	633-1-123	200 LF COILED (OC)
	633-2-31	12 EA
	633-3-11	1 EA
	635-2-13	1 EA

1 RUN WITH 3-1.25" CONDUITS  
(1 RUN @ 160')

630-2-11	160 LF
633-1-123	96 STR FOC (OC)

1-4" HDPE OUTERDUCT  
W/ 3-1.25" HDPE INNERDUCT  
(1 RUN @ 165')

630-2-12	165 LF
633-1-123	96 STR FOC (OC)

50 LF COILED	633-1-123	96 STR FOC (OC)
1 EA	635-2-12	

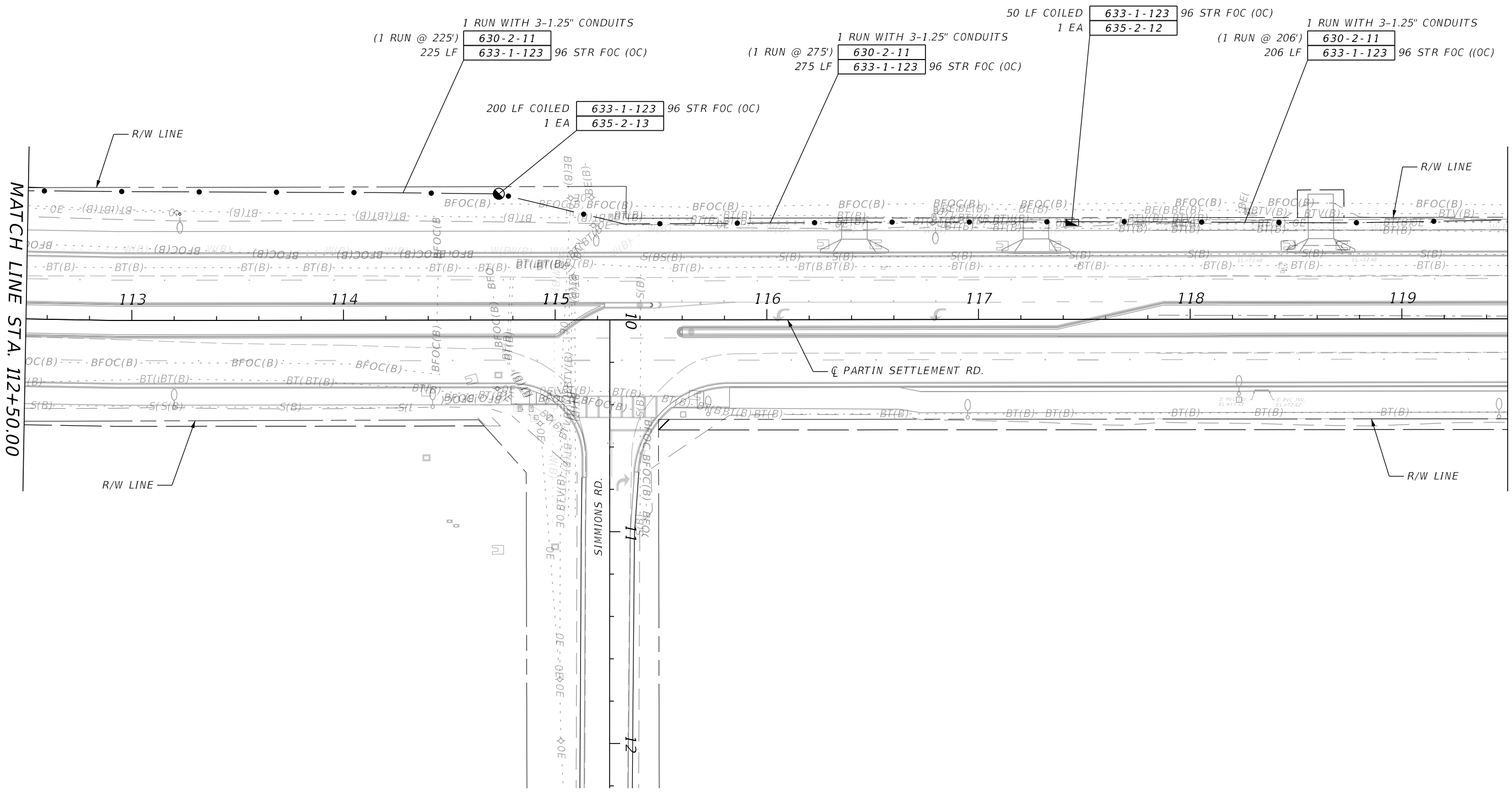
1 RUN WITH 3-1.25" CONDUITS  
(1 RUN @ 382')

630-2-11	382 LF
633-1-123	96 STR FOC (OC)

1/26/2023 1:06:21 PM rrodriguez  
c:\pwworking\jmt\rrrodriguez@jmt.com\d0156103\PLAN\IT01.dgn

THE OFFICIAL RECORD OF THIS SHEET IS THE ELECTRONIC FILE DIGITALLY SIGNED AND SEALED UNDER RULE 61G15-23.004, F.A.C.

REVISIONS				ENGINEER OF RECORD		OSCEOLA COUNTY TRANSPORTATION & TRANSIT DEPARTMENT		SHEET NO.
DATE	DESCRIPTION	DATE	DESCRIPTION	RYAN P. BOGAN, P.E. LICENSE NUMBER 82217 JOHNSON, MIRMIRAN & THOMPSON 400 COLONIAL CENTER PKY, SUITE 100 LAKE MARY, FL 32746		ROAD IDENTIFICATION	CONTRACT ID	
						PARTIN SETTLEMENT RD.	PS-20-11504-DG	
<b>ITS PLAN (15)</b>								IT-20



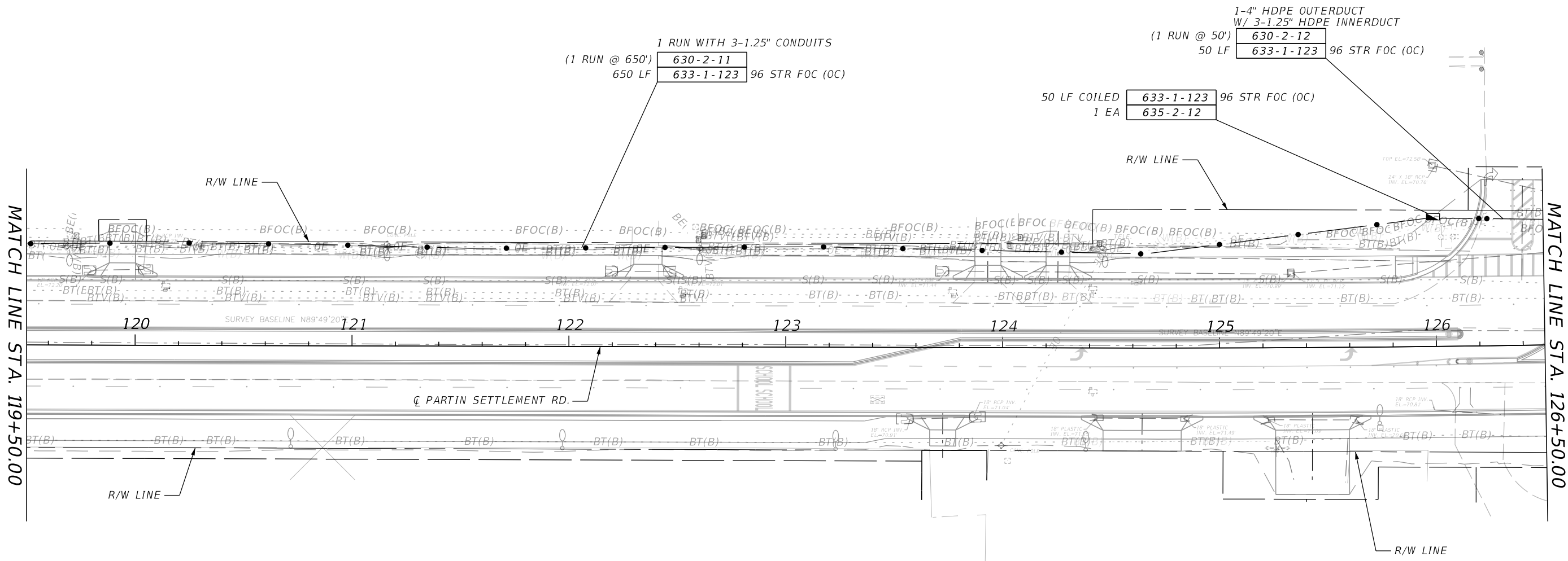
MATCH LINE STA. 112+50.00

MATCH LINE STA. 119+50.00

1/26/2023 1:06:22 PM rrodriguez  
c:\pwworking\jmt\rrrodriguez@jmt.com\d0156103\PLAN\IT01.dgn

THE OFFICIAL RECORD OF THIS SHEET IS THE ELECTRONIC FILE DIGITALLY SIGNED AND SEALED UNDER RULE 61G15-23.004, F.A.C.

REVISIONS				ENGINEER OF RECORD		OSCEOLA COUNTY TRANSPORTATION & TRANSIT DEPARTMENT		SHEET NO.
DATE	DESCRIPTION	DATE	DESCRIPTION	RYAN P. BOGAN, P.E. LICENSE NUMBER 82217 JOHNSON, MIRMIRAN & THOMPSON 400 COLONIAL CENTER PKY, SUITE 100 LAKE MARY, FL 32746		ROAD IDENTIFICATION	CONTRACT ID	
						PARTIN SETTLEMENT RD.	PS-20-11504-DG	
<b>ITS PLAN (16)</b>								IT-21



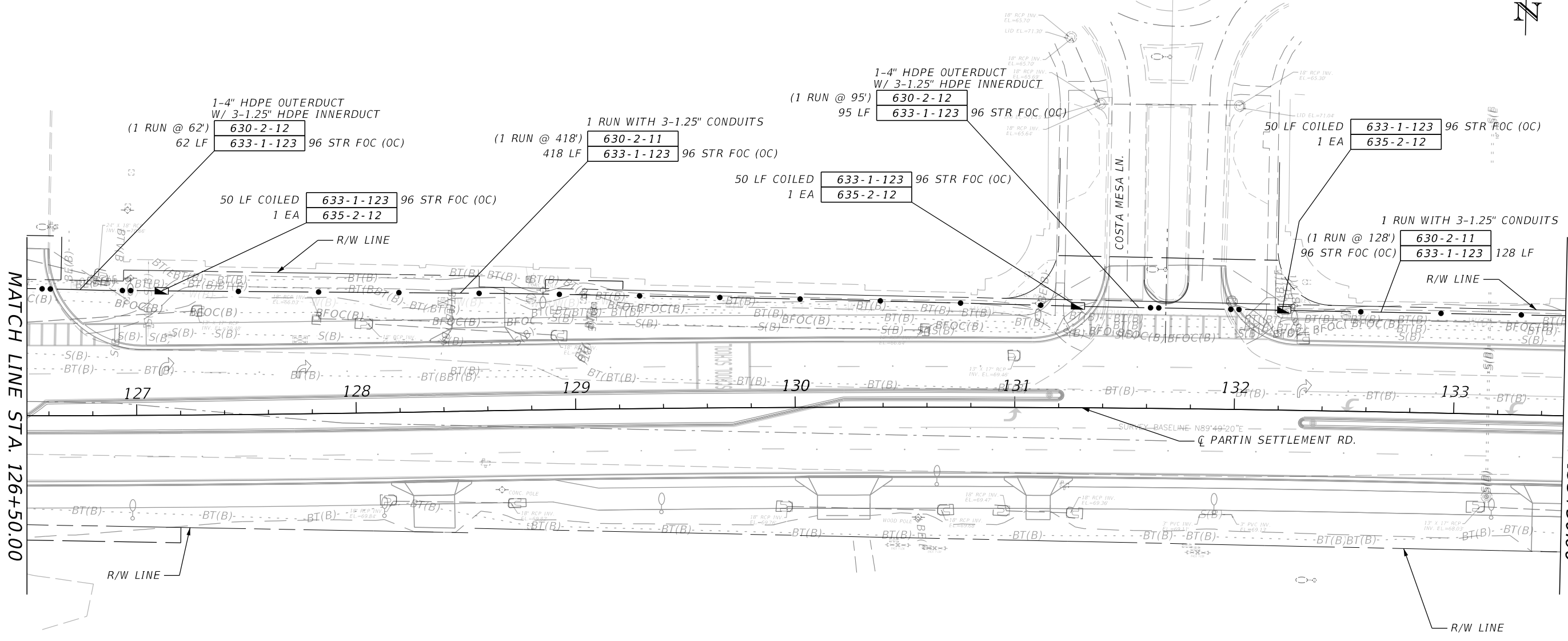
MATCH LINE STA. 119+50.00

MATCH LINE STA. 126+50.00

1/26/2023 1:06:23 PM rrodriguez c:\pwworking\jmt\rrrodriguez@jmt.com\d0156103\PLAN\IT01.dgn

REVISIONS				ENGINEER OF RECORD		OSCEOLA COUNTY TRANSPORTATION & TRANSIT DEPARTMENT		SHEET NO.
DATE	DESCRIPTION	DATE	DESCRIPTION	RYAN P. BOGAN, P.E. LICENSE NUMBER 82217 JOHNSON, MIRMIRAN & THOMPSON 400 COLONIAL CENTER PKY, SUITE 100 LAKE MARY, FL 32746		ROAD IDENTIFICATION	CONTRACT ID	
						PARTIN SETTLEMENT RD.	PS-20-11504-DG	
<b>ITS PLAN (17)</b>								IT-22

THE OFFICIAL RECORD OF THIS SHEET IS THE ELECTRONIC FILE DIGITALLY SIGNED AND SEALED UNDER RULE 61G15-23.004, F.A.C.



MATCH LINE STA. 126+50.00

MATCH LINE STA. 133+50.00

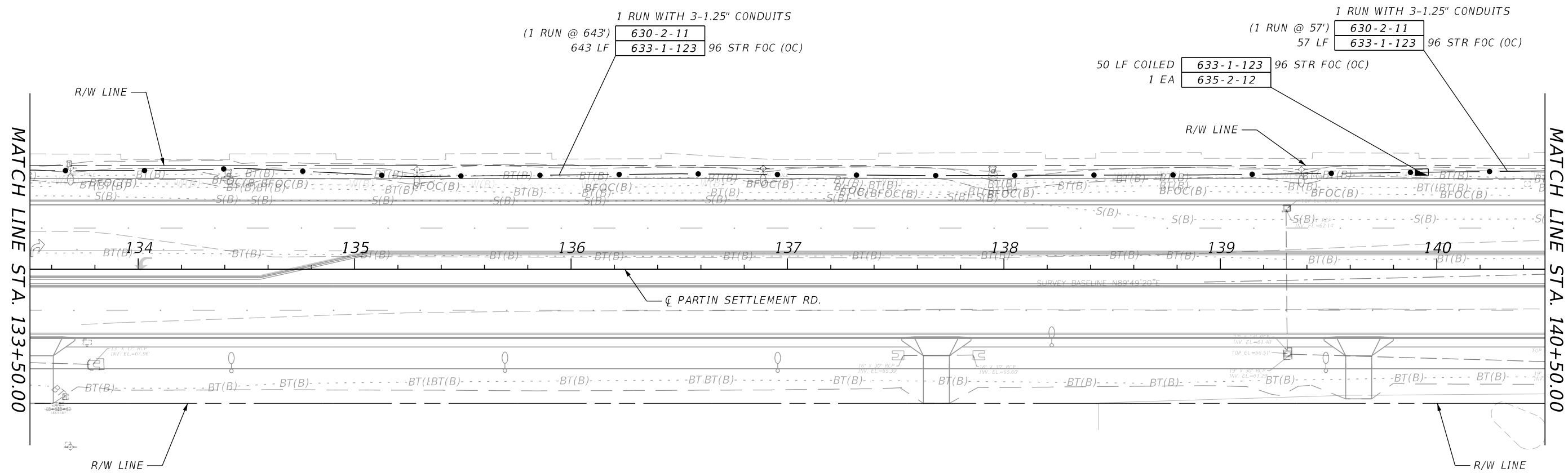
1/26/2023 1:06:24 PM rrodriguez  
c:\pwworking\jmrrodriguez@jmt.com\d0156103\PLAN\IT01.dgn

THE OFFICIAL RECORD OF THIS SHEET IS THE ELECTRONIC FILE DIGITALLY SIGNED AND SEALED UNDER RULE 61G15-23.004, F.A.C.

REVISIONS				ENGINEER OF RECORD		OSCEOLA COUNTY TRANSPORTATION & TRANSIT DEPARTMENT		SHEET NO.
DATE	DESCRIPTION	DATE	DESCRIPTION	RYAN P. BOGAN, P.E. LICENSE NUMBER 82217 JOHNSON, MIRMIRAN & THOMPSON 400 COLONIAL CENTER PKY, SUITE 100 LAKE MARY, FL 32746		ROAD IDENTIFICATION	CONTRACT ID	
						PARTIN SETTLEMENT RD.	PS-20-11504-DG	

*ITS PLAN (18)*

IT-23



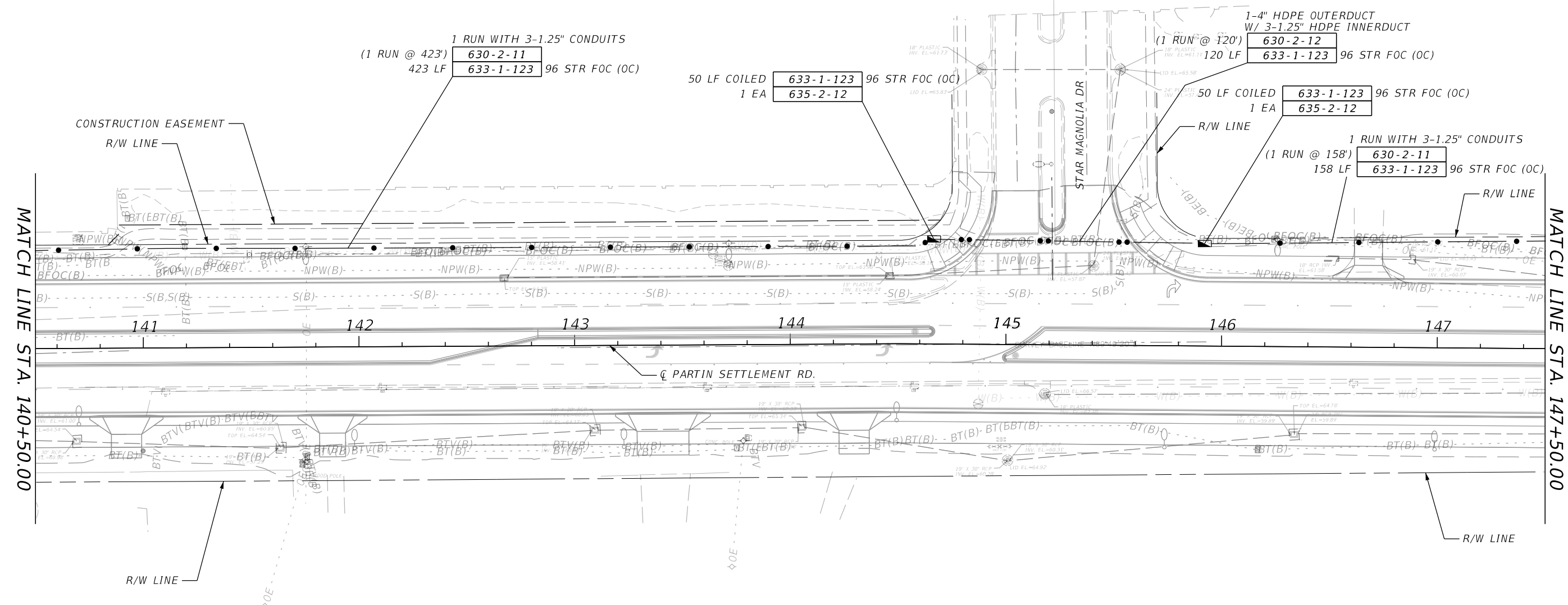
MATCH LINE STA. 133+50.00

MATCH LINE STA. 140+50.00

REVISIONS				ENGINEER OF RECORD		OSCEOLA COUNTY TRANSPORTATION & TRANSIT DEPARTMENT		<i>ITS PLAN (19)</i>	SHEET NO.
DATE	DESCRIPTION	DATE	DESCRIPTION	RYAN P. BOGAN, P.E. LICENSE NUMBER 82217 JOHNSON, MIRMIRAN & THOMPSON 400 COLONIAL CENTER PKY, SUITE 100 LAKE MARY, FL 32746		ROAD IDENTIFICATION	CONTRACT ID		IT-24
						PARTIN SETTLEMENT RD.	PS-20-11504-DG		

1/26/2023 1:06:25 PM rrodriguez  
c:\pwworking\jmt\rrrodriguez@jmt.com\d0156103\PLAN\IT01.dgn

THE OFFICIAL RECORD OF THIS SHEET IS THE ELECTRONIC FILE DIGITALLY SIGNED AND SEALED UNDER RULE 61G15-23.004, F.A.C.



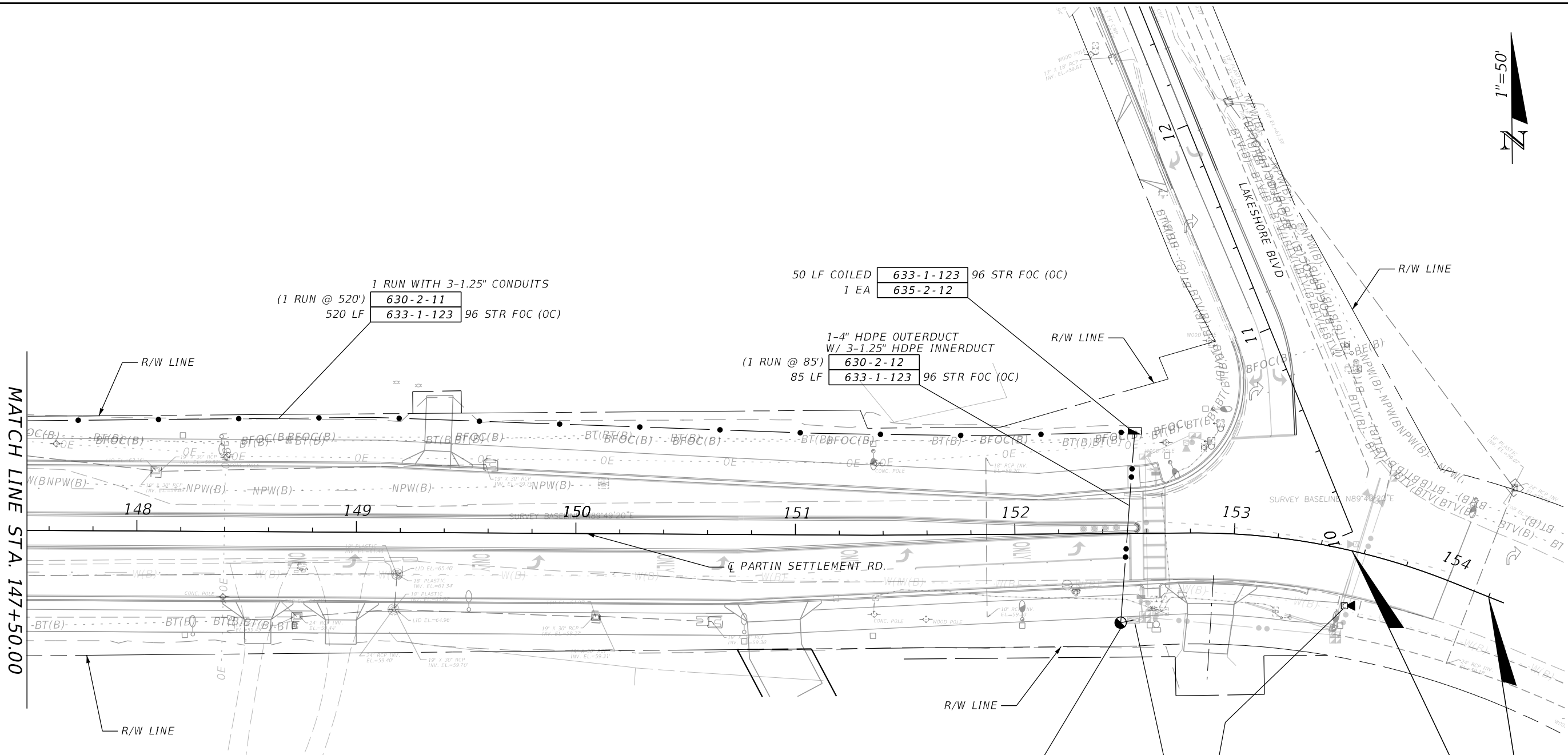
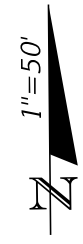
MATCH LINE STA. 140+50.00

MATCH LINE STA. 147+50.00

1/26/2023 1:06:26 PM rrodriguez c:\pwworking\jmn\rodriguez@jmt.com\d0156103\PLAN\IT01.dgn

THE OFFICIAL RECORD OF THIS SHEET IS THE ELECTRONIC FILE DIGITALLY SIGNED AND SEALED UNDER RULE 61G15-23.004, F.A.C.

REVISIONS				ENGINEER OF RECORD		OSCEOLA COUNTY TRANSPORTATION & TRANSIT DEPARTMENT		SHEET NO.
DATE	DESCRIPTION	DATE	DESCRIPTION	RYAN P. BOGAN, P.E. LICENSE NUMBER 82217 JOHNSON, MIRMIRAN & THOMPSON 400 COLONIAL CENTER PKY, SUITE 100 LAKE MARY, FL 32746		ROAD IDENTIFICATION	CONTRACT ID	
						PARTIN SETTLEMENT RD.	PS-20-11504-DG	
<b>ITS PLAN (20)</b>								IT-25



MATCH LINE STA. 147+50.00

END ITS PLANS STA. 153+54.25  
 CL CONST. PARTIN SETTLEMENT ROAD  
 END PROJECT STA. 154+20.00  
 CL CONST. PARTIN SETTLEMENT ROAD

50 LF COILED 633-1-123 96 STR FOC (OC)  
 1 EA 635-2-12

1-4" HDPE OUTERDUCT  
 W/ 3-1.25" HDPE INNERDUCT  
 (1 RUN @ 85') 630-2-12  
 85 LF 633-1-123 96 STR FOC (OC)

1 RUN WITH 3-1.25" CONDUITS  
 (1 RUN @ 520') 630-2-11  
 520 LF 633-1-123 96 STR FOC (OC)

100 LF COILED 633-1-121 12 STR FOC  
 200 LF COILED 633-1-123 96 STR FOC (OC)  
 12 EA 633-2-31  
 60 EA 633-2-32  
 1 EA 633-3-11  
 1 EA 635-2-13

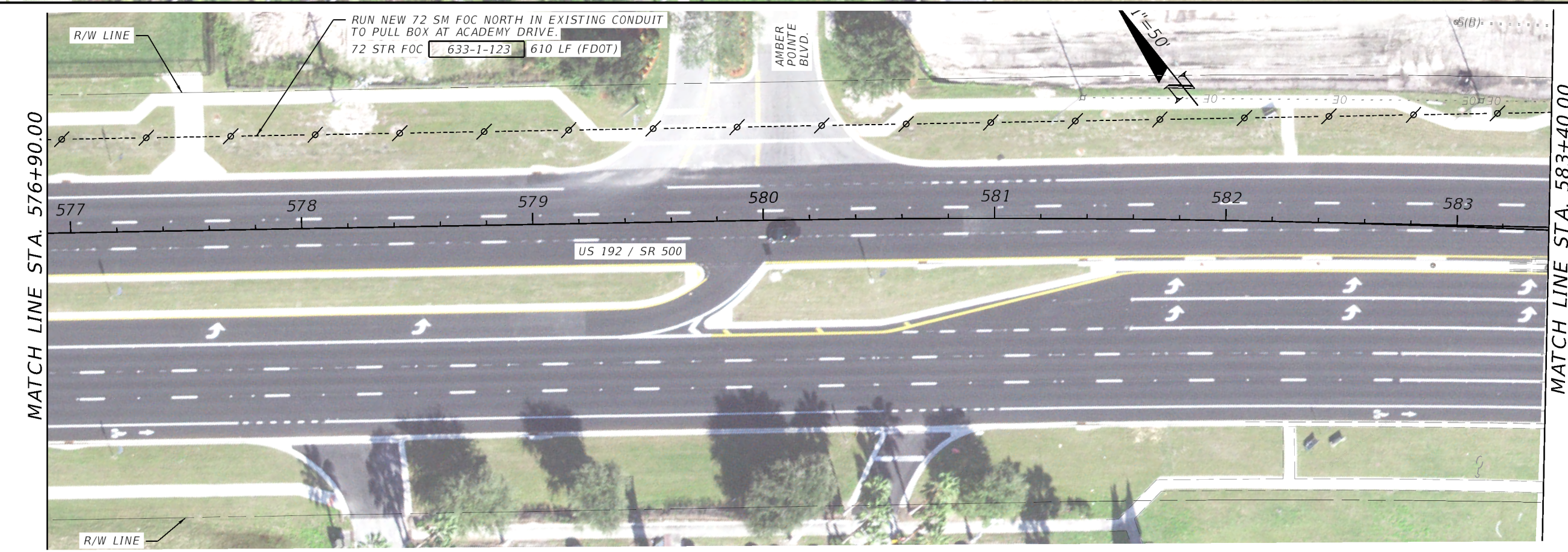
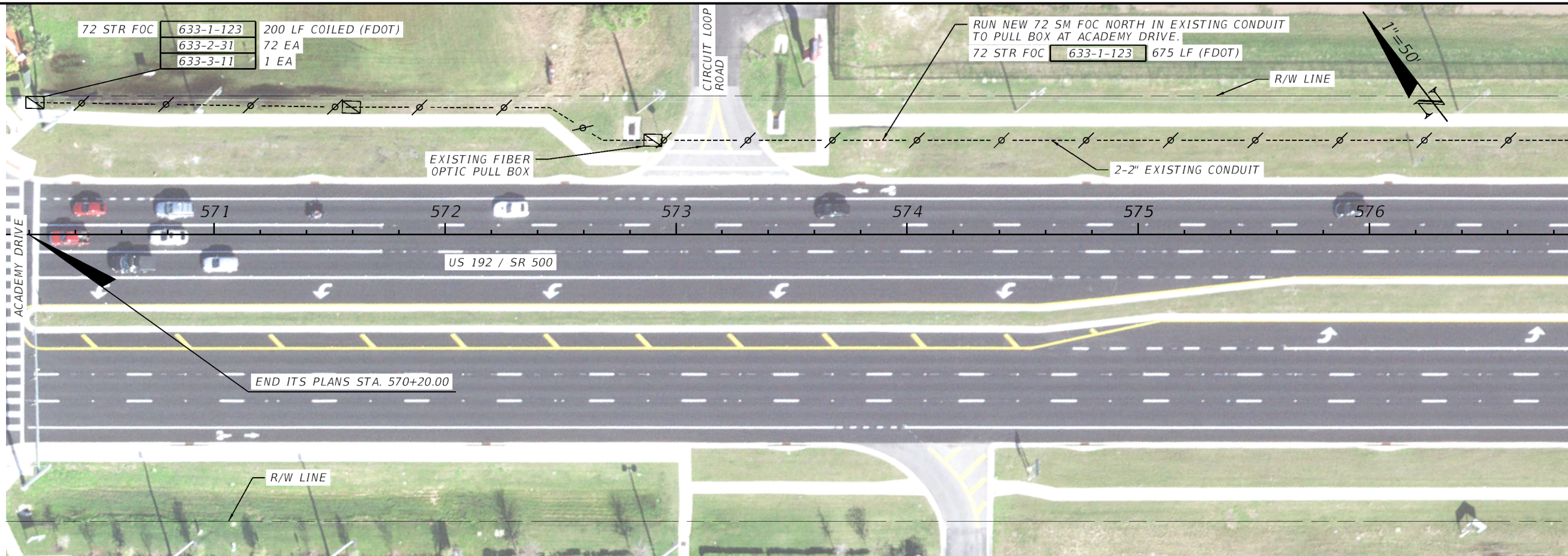
CAMERA #6  
 630-2-11 (1" RUN @ 10 LF)  
 633-1-121 30 LF  
 633-2-32 12 EA  
 633-3-14 1 EA  
 633-3-16 1 EA  
 633-3-17 1 EA  
 682-1-113 1 EA  
 684-1-1 1 EA

1/26/2023 1:06:27 PM rrodriguez  
 c:\pwworking\jmn\rrrodriguez@jmt.com\d0156103\PLAN\IT01.dgn

REVISIONS				ENGINEER OF RECORD		OSCEOLA COUNTY TRANSPORTATION & TRANSIT DEPARTMENT		SHEET NO.	
DATE	DESCRIPTION	DATE	DESCRIPTION	RYAN P. BOGAN, P.E. LICENSE NUMBER 82217 JOHNSON, MIRMIRAN & THOMPSON 400 COLONIAL CENTER PKY, SUITE 100 LAKE MARY, FL 32746		ROAD IDENTIFICATION	CONTRACT ID		ITS PLAN (21)
						PARTIN SETTLEMENT RD.	PS-20-11504-DG		

THE OFFICIAL RECORD OF THIS SHEET IS THE ELECTRONIC FILE DIGITALLY SIGNED AND SEALED UNDER RULE 61G15-23.004, F.A.C.





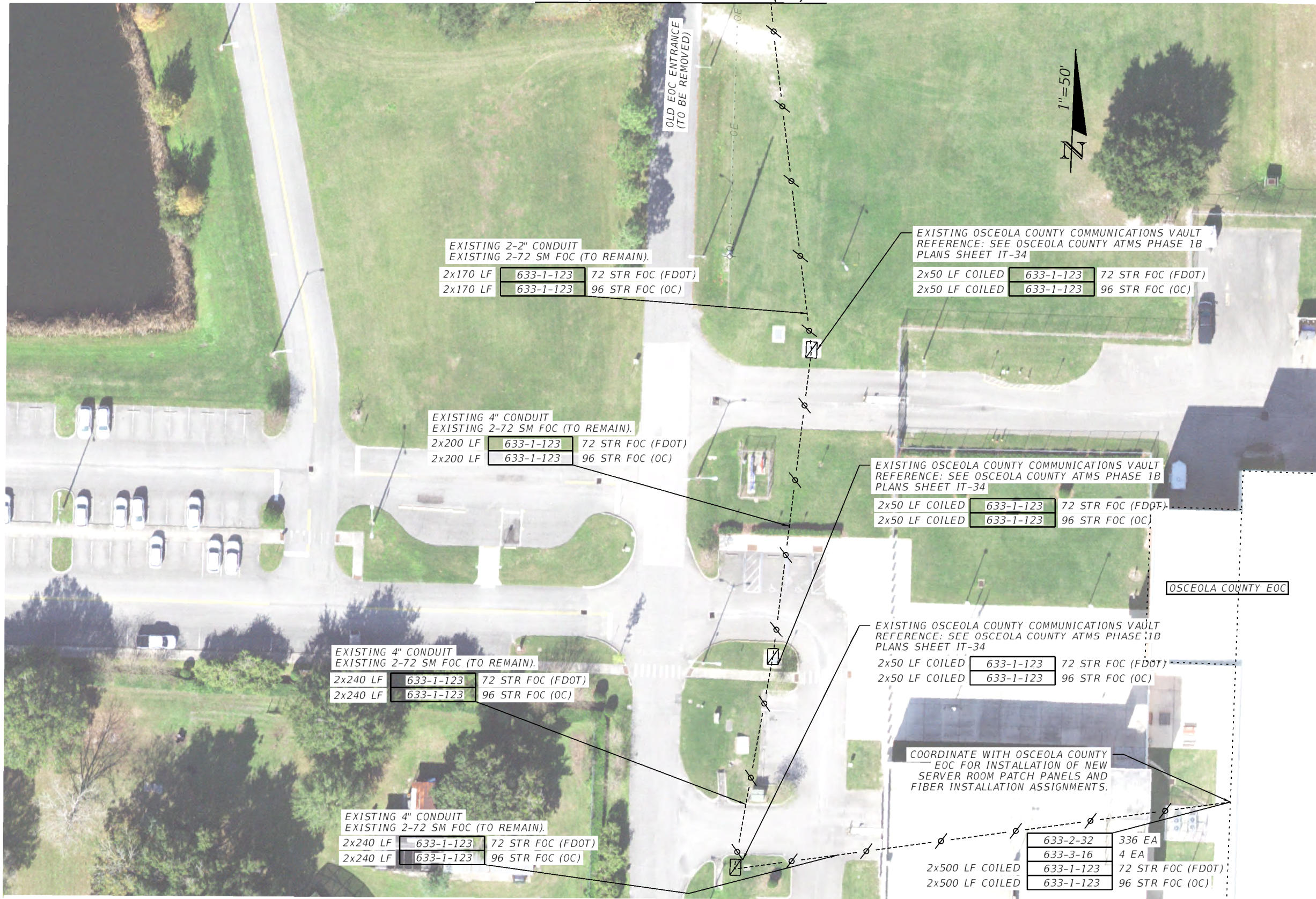
1/25/2023 12:44:42 PM rrodriguez  
c:\pwworking\jmt\rrrodriguez@jmt.com\d0156103\PLAN\IT01.dgn

REVISIONS				ENGINEER OF RECORD		OSCEOLA COUNTY TRANSPORTATION & TRANSIT DEPARTMENT		ITS PLAN (22)	SHEET NO.
DATE	DESCRIPTION	DATE	DESCRIPTION	RYAN P. BOGAN, P.E. LICENSE NUMBER 82217 JOHNSON, MIRMIRAN & THOMPSON 400 COLONIAL CENTER PKY, SUITE 100 LAKE MARY, FL 32746		ROAD IDENTIFICATION	CONTRACT ID		IT-27
						PARTIN SETTLEMENT RD.	PS-20-11504-DG		

THE OFFICIAL RECORD OF THIS SHEET IS THE ELECTRONIC FILE DIGITALLY SIGNED AND SEALED UNDER RULE 61G15-23.004, F.A.C.



MATCH LINE ITS PLAN (12)



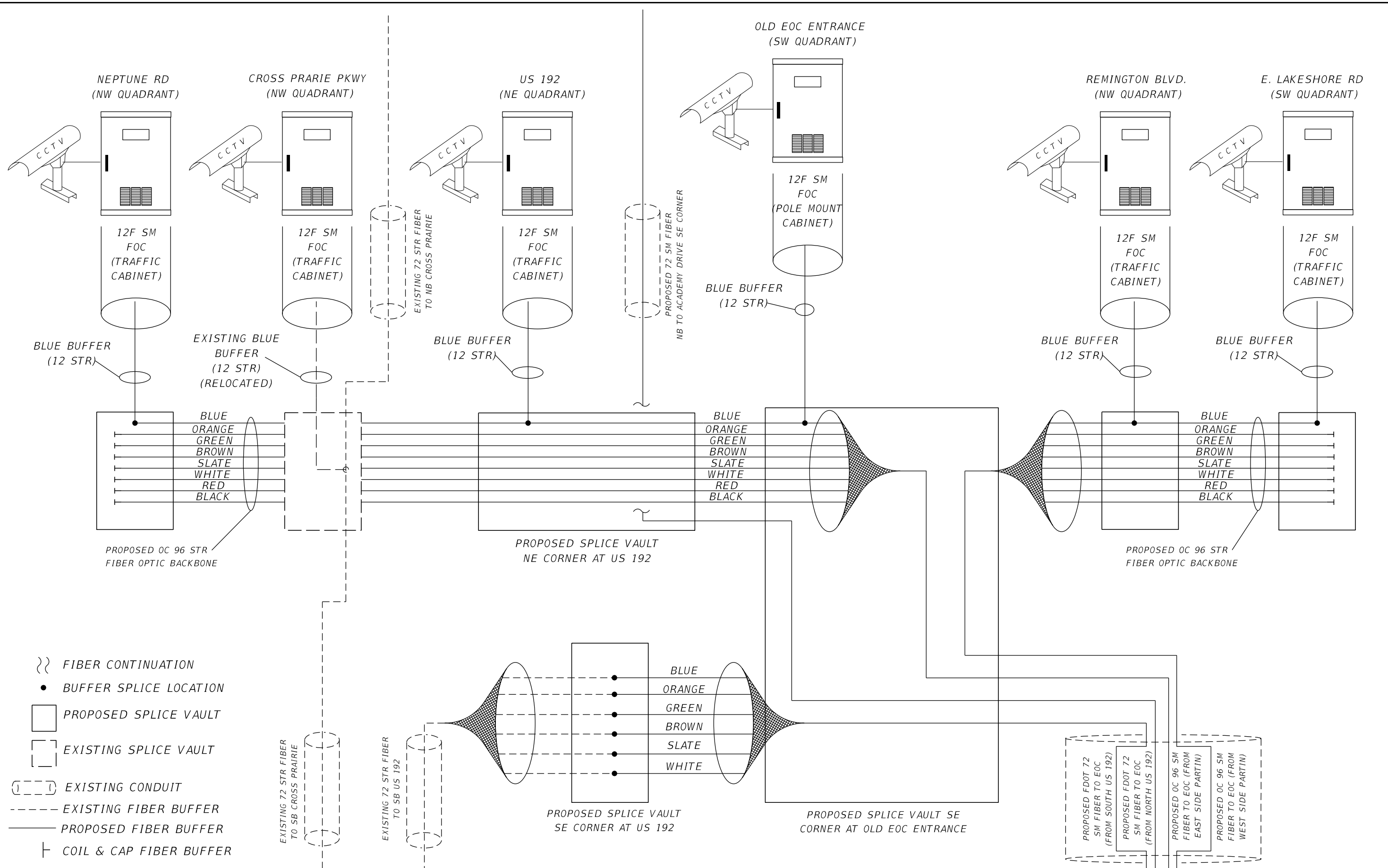
1/25/2023 12:54:06 PM rrodriguez c:\pwworking\jmt\rrrodriguez@jmt.com\d0156103\PLAN\IT01.dgn

THE OFFICIAL RECORD OF THIS SHEET IS THE ELECTRONIC FILE DIGITALLY SIGNED AND SEALED UNDER RULE 61G15-23.004, F.A.C.

REVISIONS				ENGINEER OF RECORD		OSCEOLA COUNTY		ITS PLAN (23)	SHEET NO.
DATE	DESCRIPTION	DATE	DESCRIPTION	TRANSPORTATION & TRANSIT DEPARTMENT		ROAD IDENTIFICATION	CONTRACT ID		
				RYAN P. BOGAN, P.E. LICENSE NUMBER 82217 JOHNSON, MIRMIRAN & THOMPSON 400 COLONIAL CENTER PKY, SUITE 100 LAKE MARY, FL 32746		PARTIN SETTLEMENT RD.	PS-20-11504-DG		IT-28



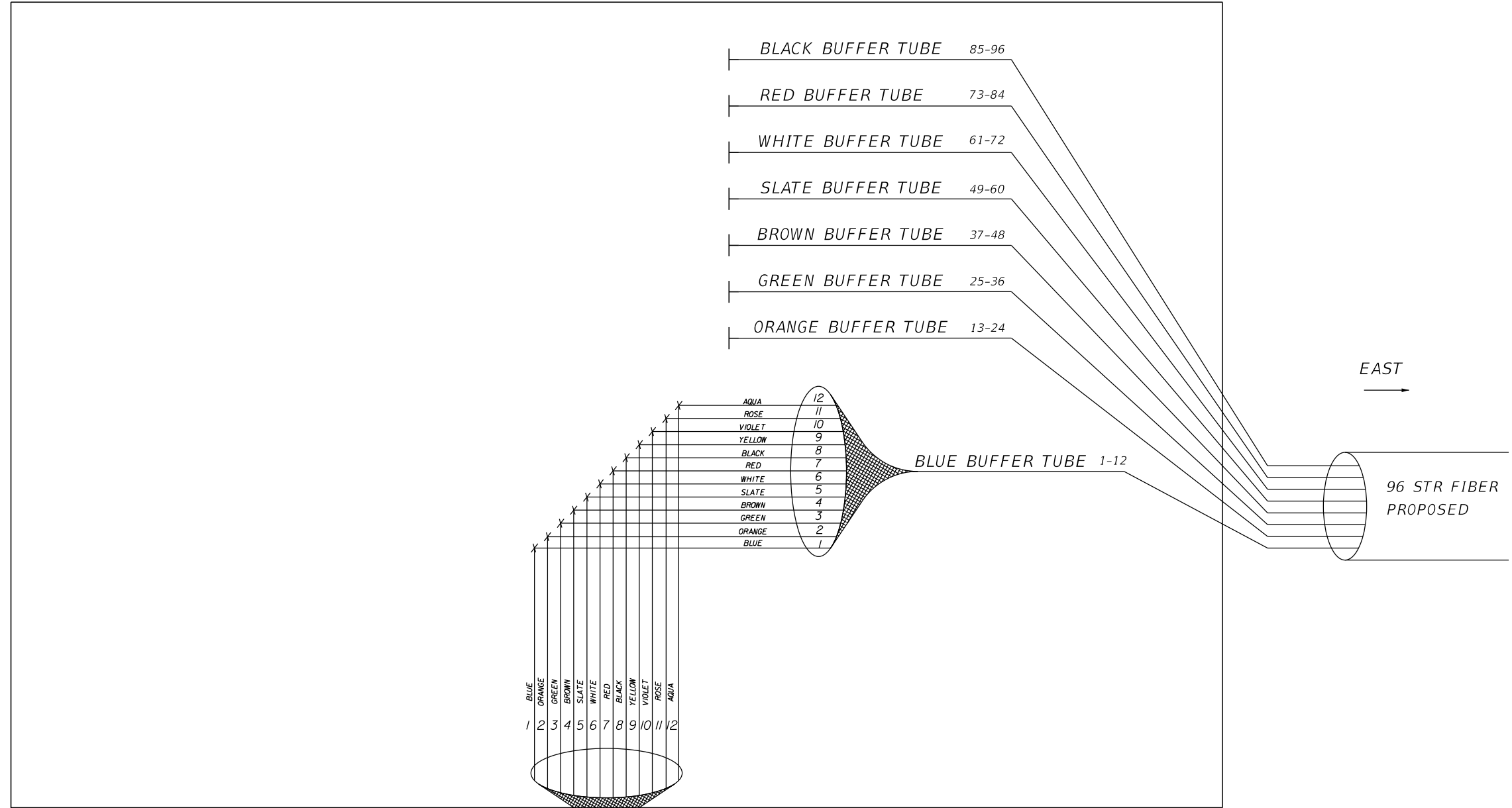
1/26/2023 1:07:26 PM rrodriguez  
 c:\pwworking\jmt\rrrodriguez@jmt.com\d0156103\SPLYT01.dgn



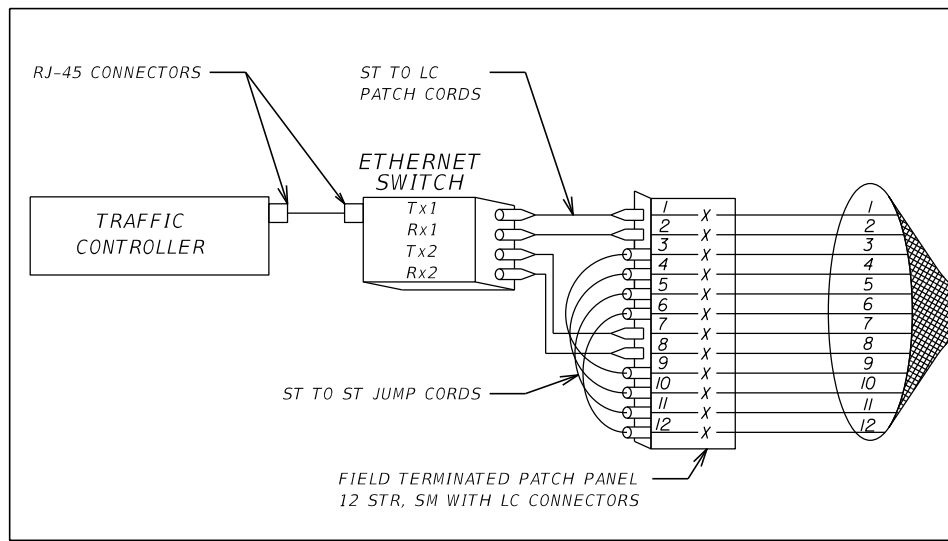
REVISIONS		REVISIONS		ENGINEER OF RECORD		OSCEOLA COUNTY TRANSPORTATION & TRANSIT DEPARTMENT		SHEET NO.
DATE	DESCRIPTION	DATE	DESCRIPTION	RYAN P. BOGAN, P.E. LICENSE NUMBER 82217 JOHNSON, MIRMIRAN & THOMPSON 400 COLONIAL CENTER PKY, SUITE 100 LAKE MARY, FL 32746		ROAD IDENTIFICATION	CONTRACT ID	
						PARTIN SETTLEMENT RD.	PS-20-11504-DG	
<b>NETWORK DIAGRAM</b>								IT-29

THE OFFICIAL RECORD OF THIS SHEET IS THE ELECTRONIC FILE DIGITALLY SIGNED AND SEALED UNDER RULE 61G15-23.004, F.A.C.

SPLICE ENCLOSURE (NW QUADRANT)



CONTROLLER CABINET



COLOR CODE TIA/EIA 598A

- (1) BLUE
- (2) ORANGE
- (3) GREEN
- (4) BROWN
- (5) SLATE
- (6) WHITE
- (7) RED
- (8) BLACK
- (9) YELLOW
- (10) VIOLET
- (11) ROSE
- (12) AQUA

X FIBER SPLICE

● BUFFER SPLICE

----- EXISTING FIBER BUFFER

———— PROPOSED FIBER BUFFER

┌ COIL & CAP FIBER BUFFER

NOTE:  
COORDINATE WITH OSCEOLA COUNTY TRAFFIC ENGINEERING TO  
CONFIRM ASSIGNMENT OF FIBER OPTIC STRANDS.

NEPTUNE ROAD

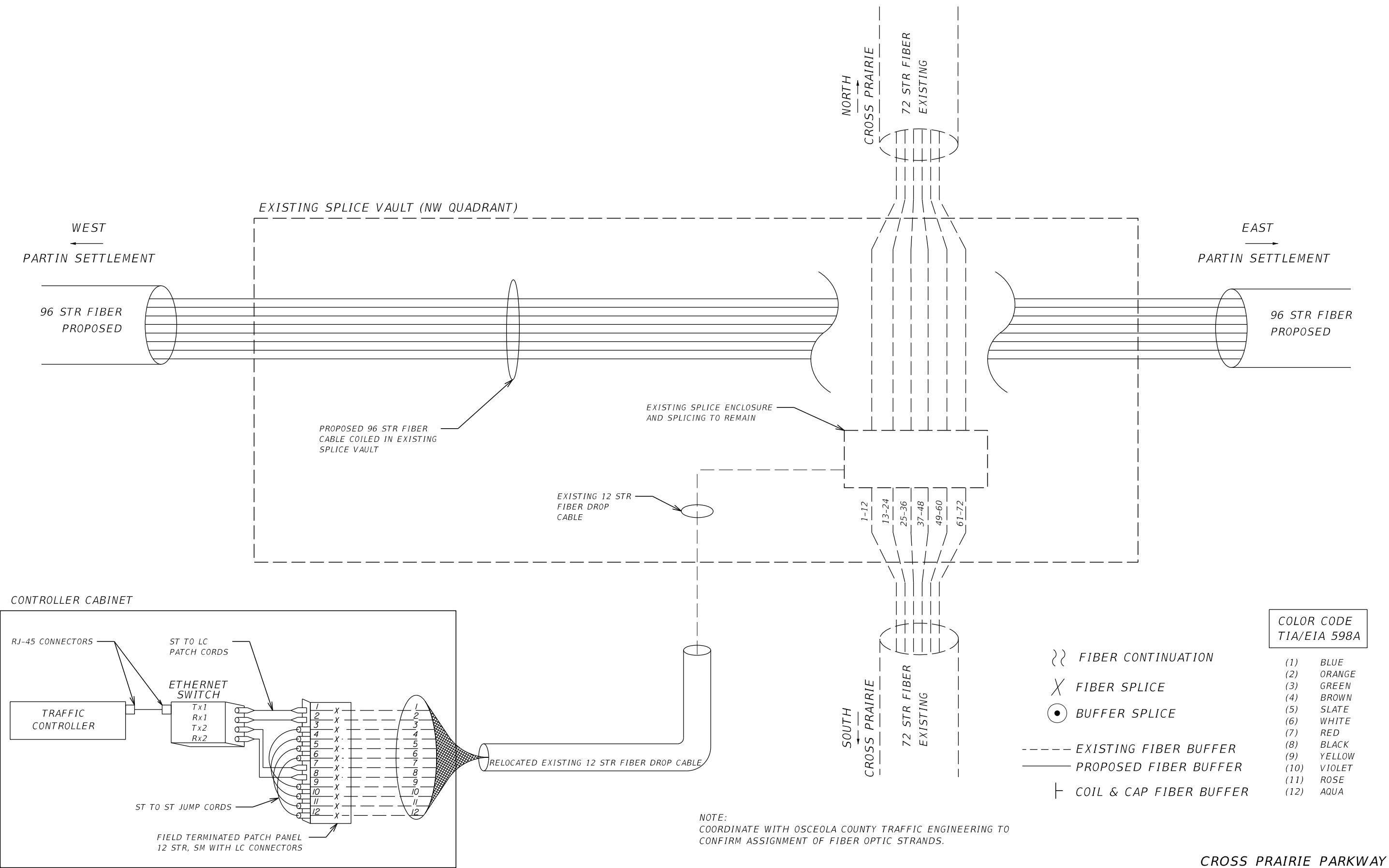
1/26/2023 1:07:27 PM rrodriguez c:\pwworking\jmt\rrrodriguez@jmt.com\d0156103\SPLYT01.dgn

REVISIONS		ENGINEER OF RECORD		OSCEOLA COUNTY TRANSPORTATION & TRANSIT DEPARTMENT		SPLICING DETAILS (1)	SHEET NO.
DATE	DESCRIPTION	DATE	DESCRIPTION	ROAD IDENTIFICATION	CONTRACT ID		
			RYAN P. BOGAN, P.E. LICENSE NUMBER 82217 JOHNSON, MIRMIRAN & THOMPSON 400 COLONIAL CENTER PKY, SUITE 100 LAKE MARY, FL 32746	PARTIN SETTLEMENT RD.	PS-20-11504-DG		

THE OFFICIAL RECORD OF THIS SHEET IS THE ELECTRONIC FILE DIGITALLY SIGNED AND SEALED UNDER RULE 61G15-23.004, F.A.C.

1/26/2023 1:07:28 PM rrodriguez  
 c:\pwworking\jmt\rrrodriguez@jmt.com\d0156103\SPLY1T01.dgn

THE OFFICIAL RECORD OF THIS SHEET IS THE ELECTRONIC FILE DIGITALLY SIGNED AND SEALED UNDER RULE 61G15-23.004, F.A.C.

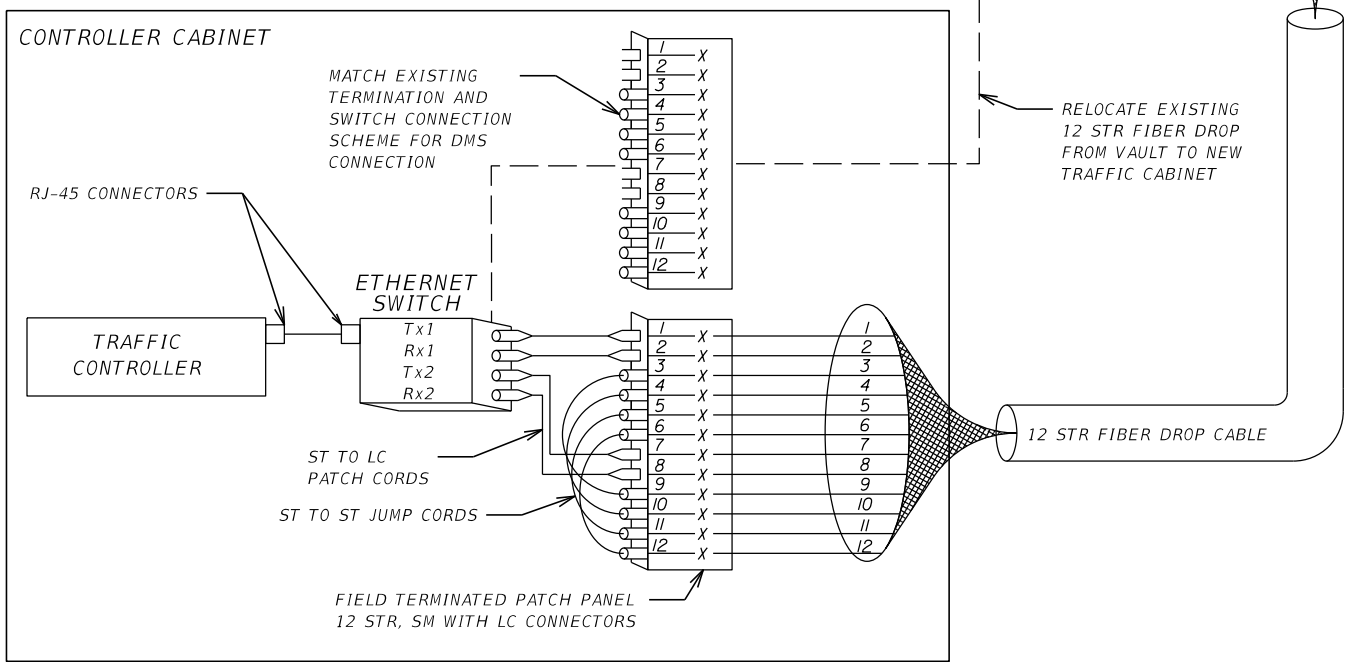
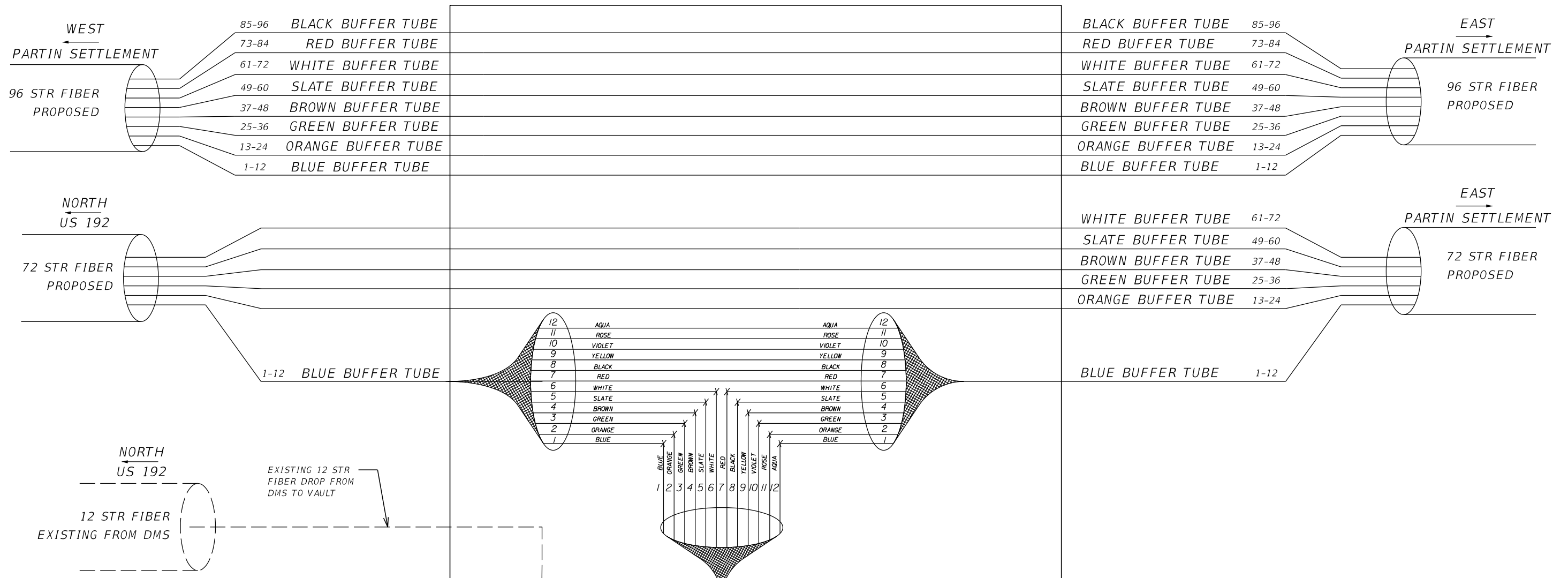


NOTE:  
 COORDINATE WITH OSCEOLA COUNTY TRAFFIC ENGINEERING TO  
 CONFIRM ASSIGNMENT OF FIBER OPTIC STRANDS.

CROSS PRAIRIE PARKWAY

REVISIONS				ENGINEER OF RECORD		OSCEOLA COUNTY TRANSPORTATION & TRANSIT DEPARTMENT		SPLICING DETAILS (2)	SHEET NO.
DATE	DESCRIPTION	DATE	DESCRIPTION	RYAN P. BOGAN, P.E. LICENSE NUMBER 82217 JOHNSON, MIRMIRAN & THOMPSON 400 COLONIAL CENTER PKY, SUITE 100 LAKE MARY, FL 32746		ROAD IDENTIFICATION	CONTRACT ID		IT-31
						PARTIN SETTLEMENT RD.	PS-20-11504-DG		

SPLICE ENCLOSURE  
NE QUADRANT US 192



NOTE: DURING FIBER TRUNK LINE SPLICING THE DOWNTIME TO THE OSCEOLA COUNTY EMERGENCY OPERATIONS CENTER (EOC) TO BE A MAXIMUM OF 4 HOURS. INSTALL FULL LENGTH OF NEW FIBER TRUNK LINE PRIOR TO SPLICING.

COLOR CODE  
TIA/EIA 598A

- (1) BLUE
- (2) ORANGE
- (3) GREEN
- (4) BROWN
- (5) SLATE
- (6) WHITE
- (7) RED
- (8) BLACK
- (9) YELLOW
- (10) VIOLET
- (11) ROSE
- (12) AQUA

- X FIBER SPLICE
- BUFFER SPLICE
- EXISTING FIBER BUFFER
- PROPOSED FIBER BUFFER
- └ COIL & CAP FIBER BUFFER

NOTE:  
COORDINATE WITH OSCEOLA COUNTY TRAFFIC ENGINEERING TO CONFIRM ASSIGNMENT OF FIBER OPTIC STRANDS.

US 192 (NE QUADRANT)

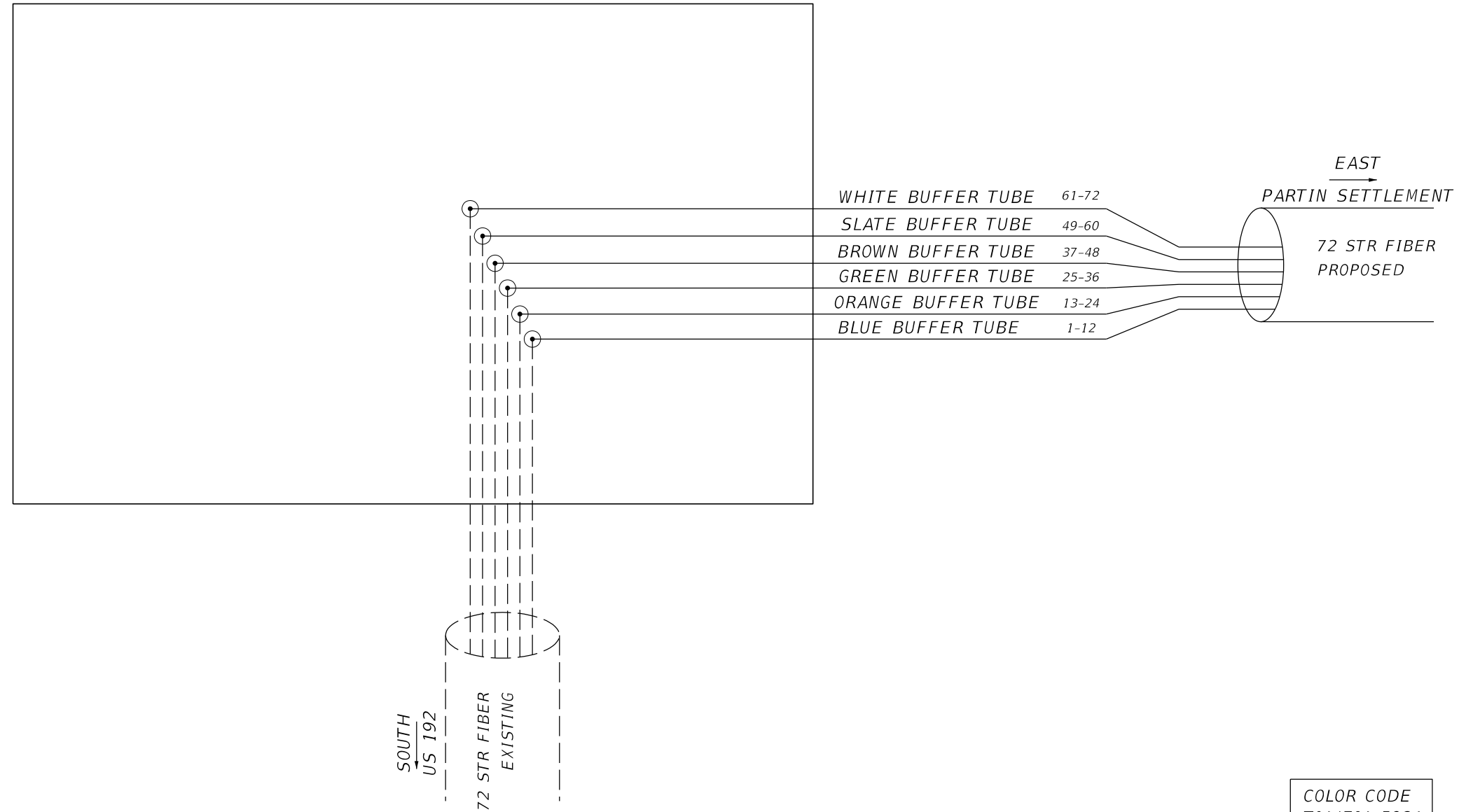
REVISIONS		ENGINEER OF RECORD		OSCEOLA COUNTY TRANSPORTATION & TRANSIT DEPARTMENT		SPLICING DETAILS (3)	SHEET NO.
DATE	DESCRIPTION	DATE	DESCRIPTION	ROAD IDENTIFICATION	CONTRACT ID		
			RYAN P. BOGAN, P.E. LICENSE NUMBER 82217 JOHNSON, MIRMIRAN & THOMPSON 400 COLONIAL CENTER PKY, SUITE 100 LAKE MARY, FL 32746	PARTIN SETTLEMENT RD.	PS-20-11504-DG		

1/26/2023 1:07:28 PM rrodriguez c:\pwworking\jmt\rrrodriguez@jmt.com\d0156103\SPLY1T01.dgn

THE OFFICIAL RECORD OF THIS SHEET IS THE ELECTRONIC FILE DIGITALLY SIGNED AND SEALED UNDER RULE 61G15-23.004, F.A.C.

NOTE: DURING FIBER TRUNK LINE SPLICING THE DOWNTIME TO THE OSCEOLA COUNTY EMERGENCY OPERATIONS CENTER (EOC) TO BE A MAXIMUM OF 4 HOURS. INSTALL FULL LENGTH OF NEW FIBER TRUNK LINE PRIOR TO SPLICING.

SPLICE ENCLOSURE  
SE QUADRANT US 192



COLOR CODE  
TIA/EIA 598A

- (1) BLUE
- (2) ORANGE
- (3) GREEN
- (4) BROWN
- (5) SLATE
- (6) WHITE
- (7) RED
- (8) BLACK
- (9) YELLOW
- (10) VIOLET
- (11) ROSE
- (12) AQUA

X FIBER SPLICE

● BUFFER SPLICE

----- EXISTING FIBER BUFFER

———— PROPOSED FIBER BUFFER

┌ COIL & CAP FIBER BUFFER

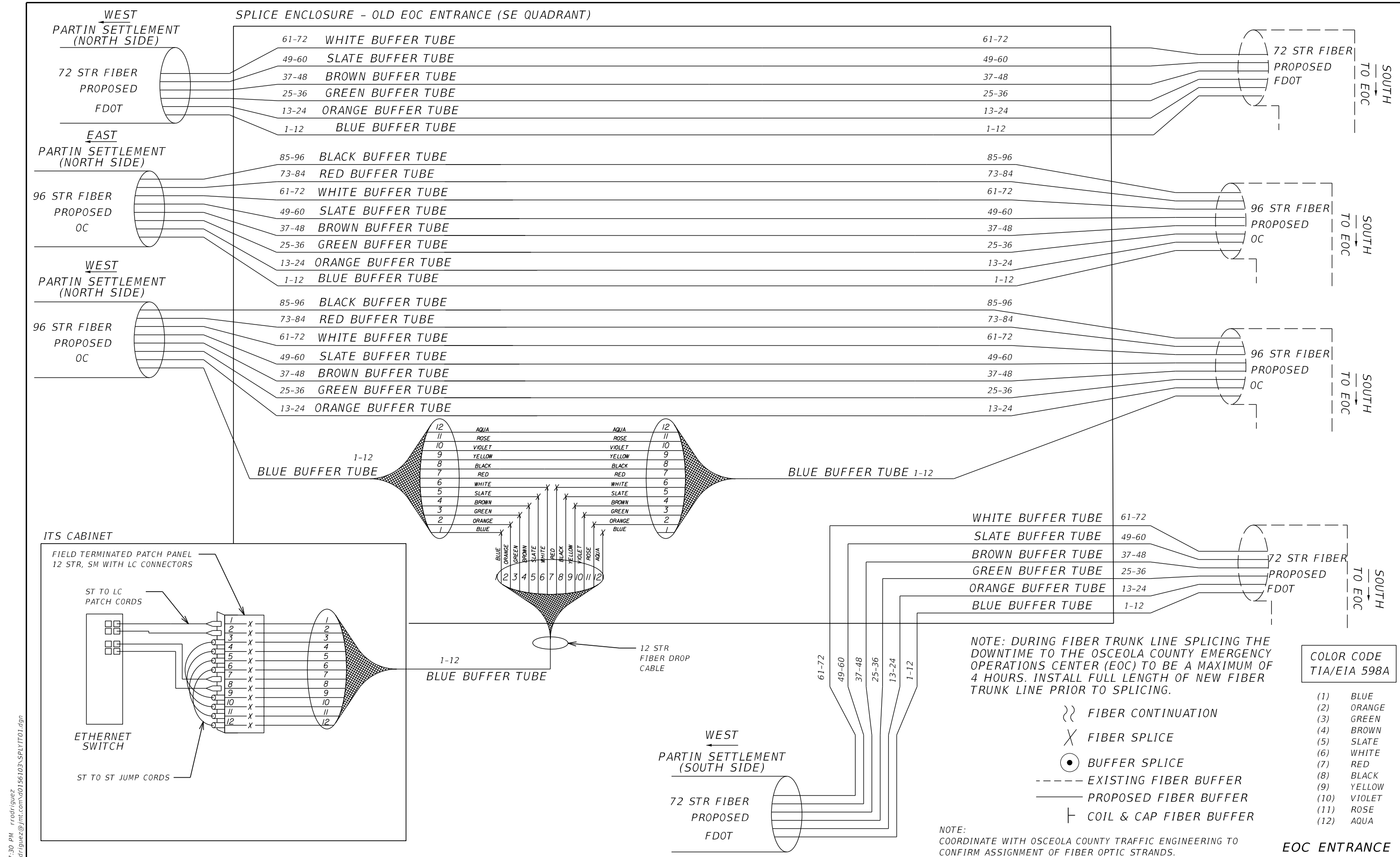
NOTE:  
COORDINATE WITH OSCEOLA COUNTY TRAFFIC ENGINEERING TO  
CONFIRM ASSIGNMENT OF FIBER OPTIC STRANDS.

US 192 (SE QUADRANT)

1/26/2023 1:07:29 PM rrodriguez c:\pwworking\jmt\rrrodriguez@jmt.com\d0156103\SPLY1T01.dgn

REVISIONS				ENGINEER OF RECORD		OSCEOLA COUNTY TRANSPORTATION & TRANSIT DEPARTMENT		<b>SPLICING DETAILS (4)</b>	SHEET NO.
DATE	DESCRIPTION	DATE	DESCRIPTION	RYAN P. BOGAN, P.E. LICENSE NUMBER 82217 JOHNSON, MIRMIRAN & THOMPSON 400 COLONIAL CENTER PKY, SUITE 100 LAKE MARY, FL 32746		ROAD IDENTIFICATION	CONTRACT ID		IT-33

THE OFFICIAL RECORD OF THIS SHEET IS THE ELECTRONIC FILE DIGITALLY SIGNED AND SEALED UNDER RULE 61G15-23.004, F.A.C.



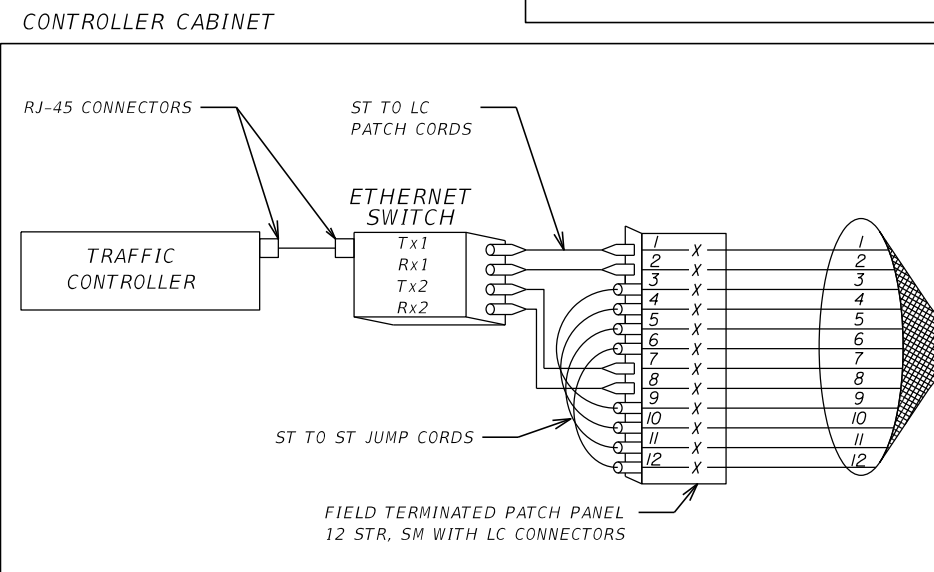
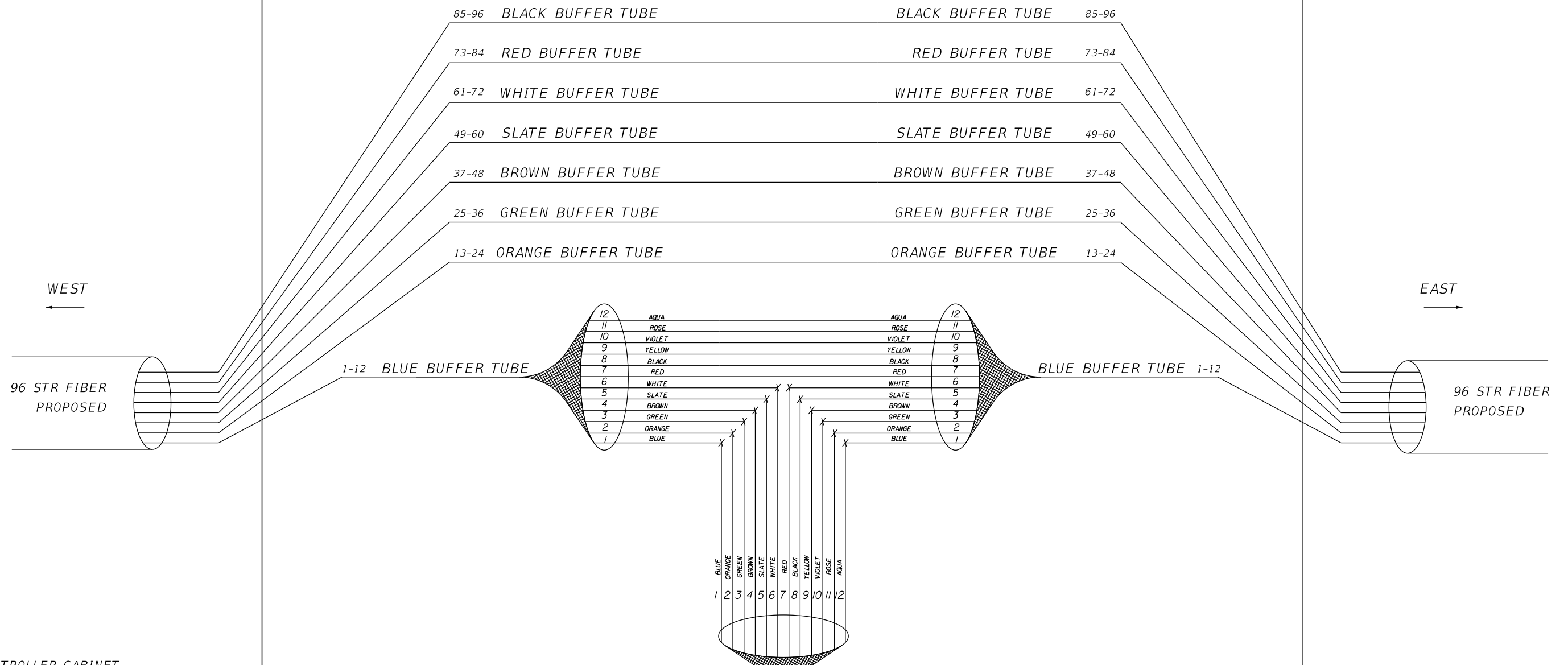
1/26/2023 1:07:30 PM rrodriguez  
 c:\pwworking\jmn\rodriguez@jmt.com\d0156103\SPLY1T01.dgn

REVISIONS		ENGINEER OF RECORD		OSCEOLA COUNTY TRANSPORTATION & TRANSIT DEPARTMENT		SHEET NO.
DATE	DESCRIPTION	DATE	DESCRIPTION	ROAD IDENTIFICATION	CONTRACT ID	
			RYAN P. BOGAN, P.E. LICENSE NUMBER 82217 JOHNSON, MIRMIRAN & THOMPSON 400 COLONIAL CENTER PKY, SUITE 100 LAKE MARY, FL 32746	PARTIN SETTLEMENT RD.	PS-20-11504-DG	
<b>SPLICING DETAILS (5)</b>						

THE OFFICIAL RECORD OF THIS SHEET IS THE ELECTRONIC FILE DIGITALLY SIGNED AND SEALED UNDER RULE 61G15-23.004, F.A.C.



SPLICE ENCLOSURE (NW QUADRANT)



COLOR CODE  
TIA/EIA 598A

- (1) BLUE
- (2) ORANGE
- (3) GREEN
- (4) BROWN
- (5) SLATE
- (6) WHITE
- (7) RED
- (8) BLACK
- (9) YELLOW
- (10) VIOLET
- (11) ROSE
- (12) AQUA

- X FIBER SPLICE
- BUFFER SPLICE
- EXISTING FIBER BUFFER
- PROPOSED FIBER BUFFER
- ┌ COIL & CAP FIBER BUFFER

NOTE:  
COORDINATE WITH OSCEOLA COUNTY TRAFFIC ENGINEERING TO  
CONFIRM ASSIGNMENT OF FIBER OPTIC STRANDS.

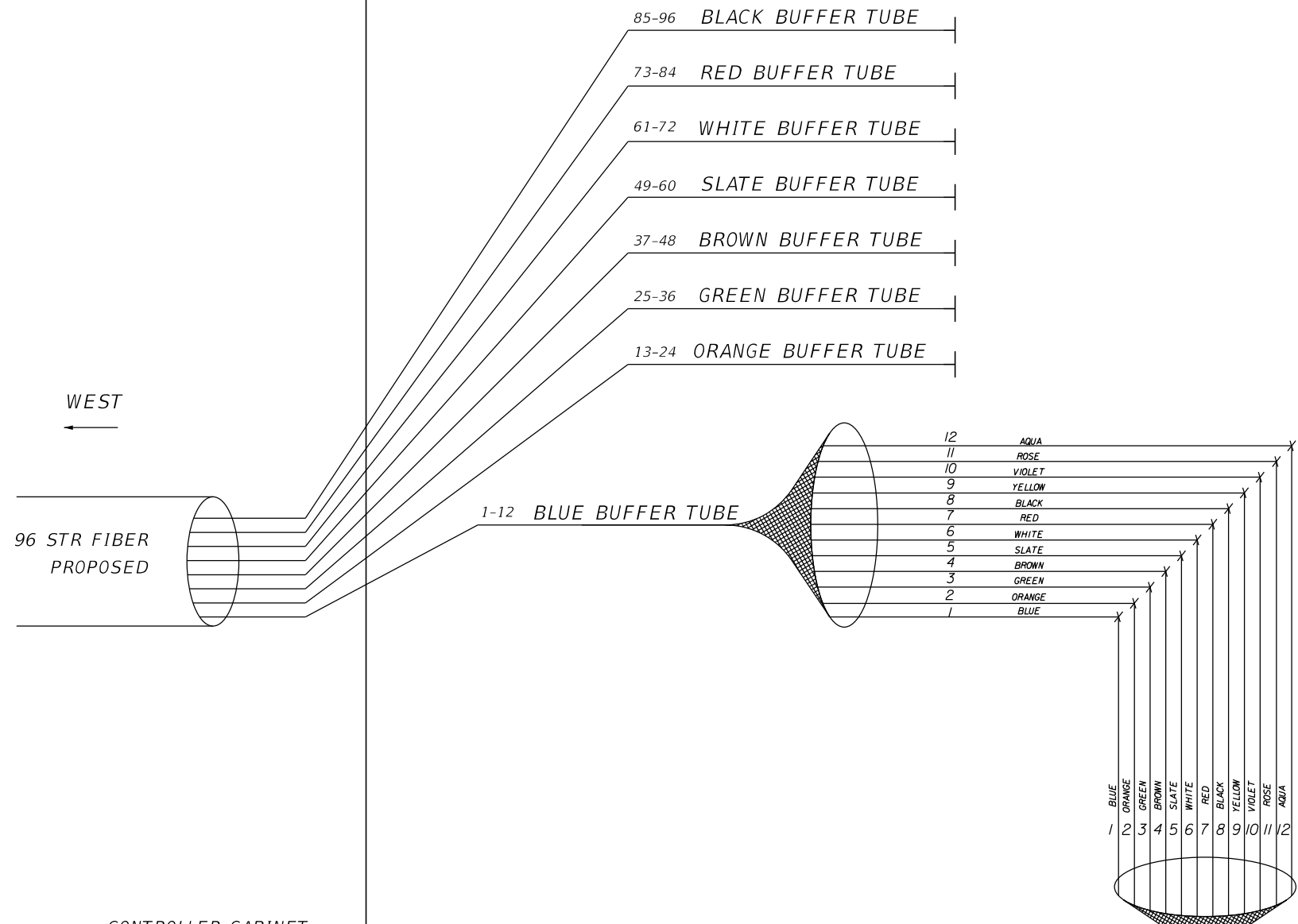
REMINGTON BLVD.

REVISIONS		REVISIONS		ENGINEER OF RECORD		OSCEOLA COUNTY TRANSPORTATION & TRANSIT DEPARTMENT		SPLICING DETAILS (6)	SHEET NO.
DATE	DESCRIPTION	DATE	DESCRIPTION	RYAN P. BOGAN, P.E. LICENSE NUMBER 82217 JOHNSON, MIRMIRAN & THOMPSON 400 COLONIAL CENTER PKY, SUITE 100 LAKE MARY, FL 32746		ROAD IDENTIFICATION	CONTRACT ID		IT-35
						PARTIN SETTLEMENT RD.	PS-20-11504-DG		

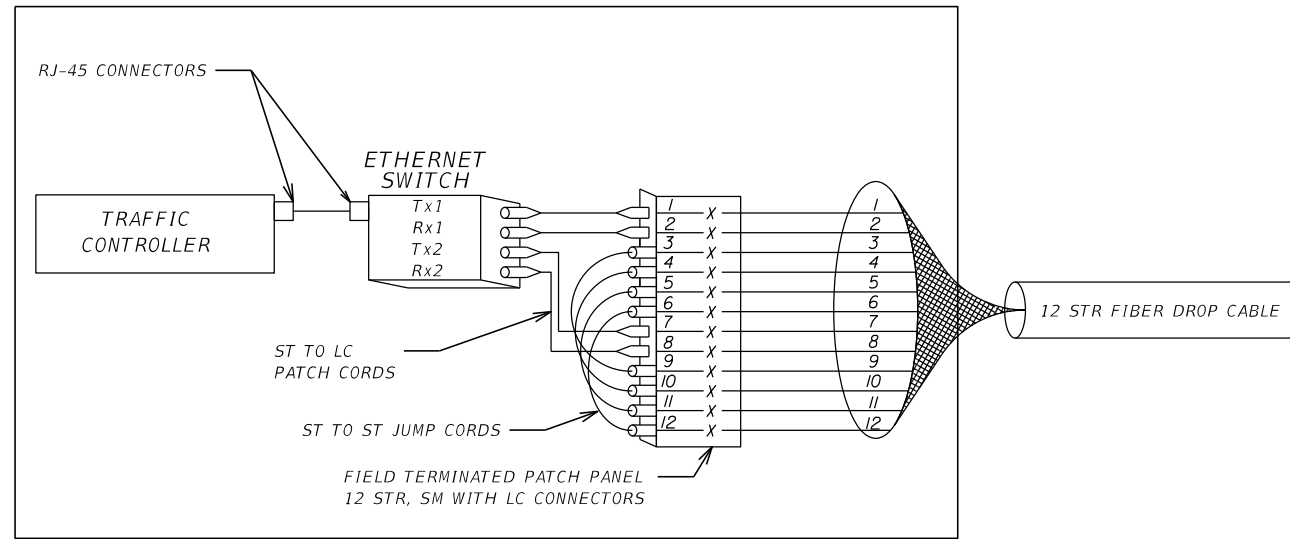
1/26/2023 1:07:30 PM rrodriguez  
c:\pwworking\jmt\rrrodriguez@jmt.com\d0156103\SPLY1T01.dgn

THE OFFICIAL RECORD OF THIS SHEET IS THE ELECTRONIC FILE DIGITALLY SIGNED AND SEALED UNDER RULE 61G15-23.004, F.A.C.

SPLICE ENCLOSURE (SW QUADRANT)



CONTROLLER CABINET



COLOR CODE  
TIA/EIA 598A

- (1) BLUE
- (2) ORANGE
- (3) GREEN
- (4) BROWN
- (5) SLATE
- (6) WHITE
- (7) RED
- (8) BLACK
- (9) YELLOW
- (10) VIOLET
- (11) ROSE
- (12) AQUA

- X FIBER SPLICE
- BUFFER SPLICE
- EXISTING FIBER BUFFER
- PROPOSED FIBER BUFFER
- ┌ COIL & CAP FIBER BUFFER

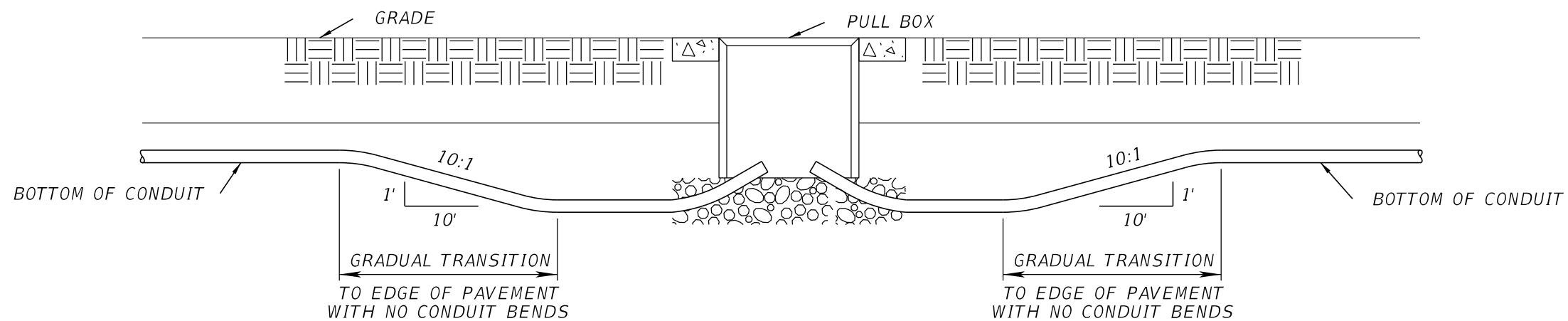
NOTE:  
COORDINATE WITH OSCEOLA COUNTY TRAFFIC ENGINEERING TO  
CONFIRM ASSIGNMENT OF FIBER OPTIC STRANDS.

E LAKESHORE BLVD.

1/26/2023 1:07:31 PM rrodriguez c:\pwworking\jmt\rrrodriguez@jmt.com\d0156103\SPLYT01.dgn

REVISIONS				ENGINEER OF RECORD		OSCEOLA COUNTY TRANSPORTATION & TRANSIT DEPARTMENT		SPLICING DETAILS (7)	SHEET NO.
DATE	DESCRIPTION	DATE	DESCRIPTION	RYAN P. BOGAN, P.E. LICENSE NUMBER 82217 JOHNSON, MIRMIRAN & THOMPSON 400 COLONIAL CENTER PKY, SUITE 100 LAKE MARY, FL 32746		ROAD IDENTIFICATION	CONTRACT ID		
						PARTIN SETTLEMENT RD.	PS-20-11504-DG		

THE OFFICIAL RECORD OF THIS SHEET IS THE ELECTRONIC FILE DIGITALLY SIGNED AND SEALED UNDER RULE 61G15-23.004, F.A.C.



ELEVATION OF CONDUIT TRENCH, PULL BOX AND CONDUIT TRANSITION

1/26/2023 1:08:37 PM rrodriguez  
 c:\pwworking\jmt\rrrodriguez@jmt.com\d0156103\PLAN\T01.dgn

REVISIONS			
DATE	DESCRIPTION	DATE	DESCRIPTION

ENGINEER OF RECORD  
 RYAN P. BOGAN, P.E.  
 LICENSE NUMBER 82217  
 JOHNSON, MIRMIRAN & THOMPSON  
 400 COLONIAL CENTER PKY, SUITE 100  
 LAKE MARY, FL 32746

OSCEOLA COUNTY  
 TRANSPORTATION & TRANSIT DEPARTMENT

ROAD IDENTIFICATION	CONTRACT ID
PARTIN SETTLEMENT RD.	PS-20-11504-DG

**CONDUIT DETAILS**

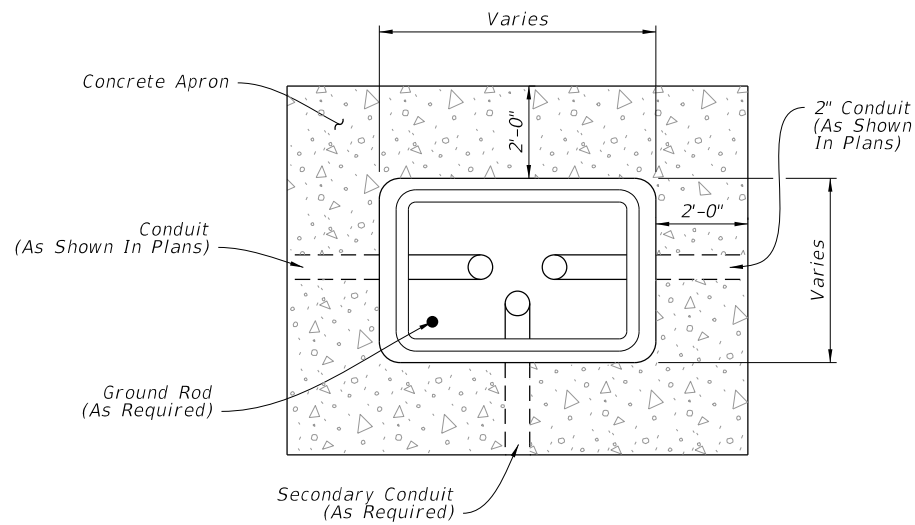
SHEET NO.  
 IT-37

THE OFFICIAL RECORD OF THIS SHEET IS THE ELECTRONIC FILE DIGITALLY SIGNED AND SEALED UNDER RULE 61G15-23.004, F.A.C.

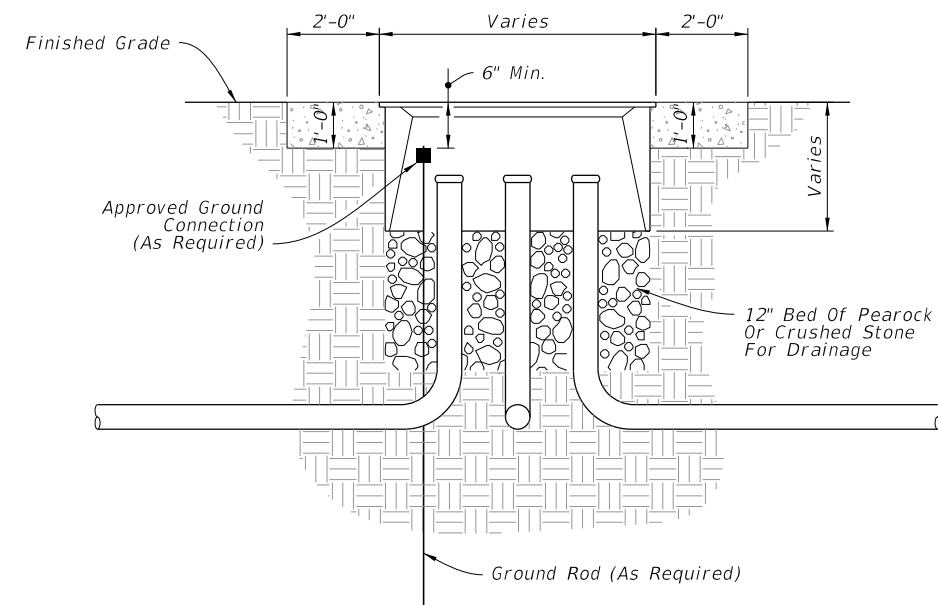






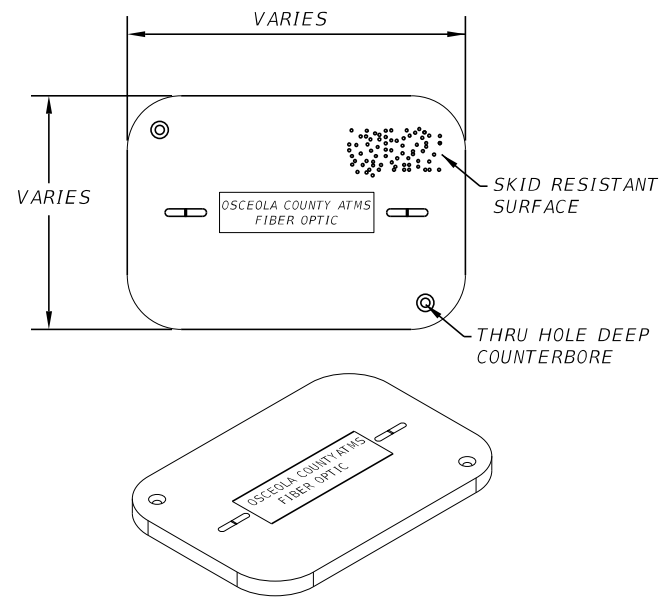


PLAN

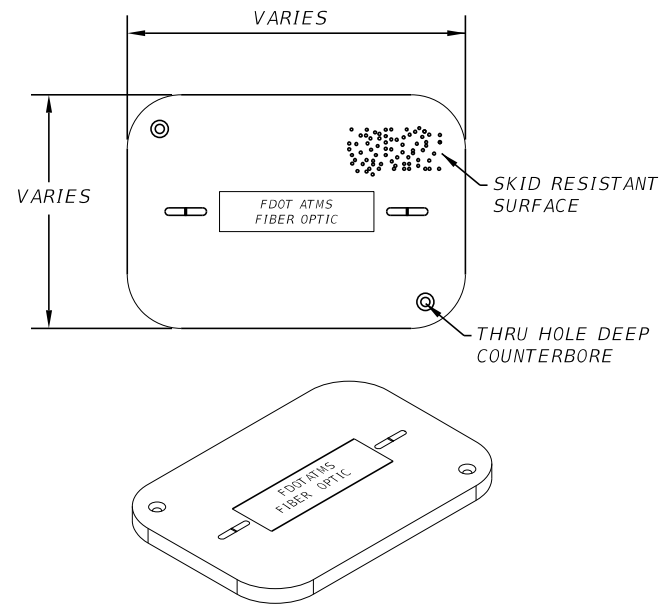


ELEVATION

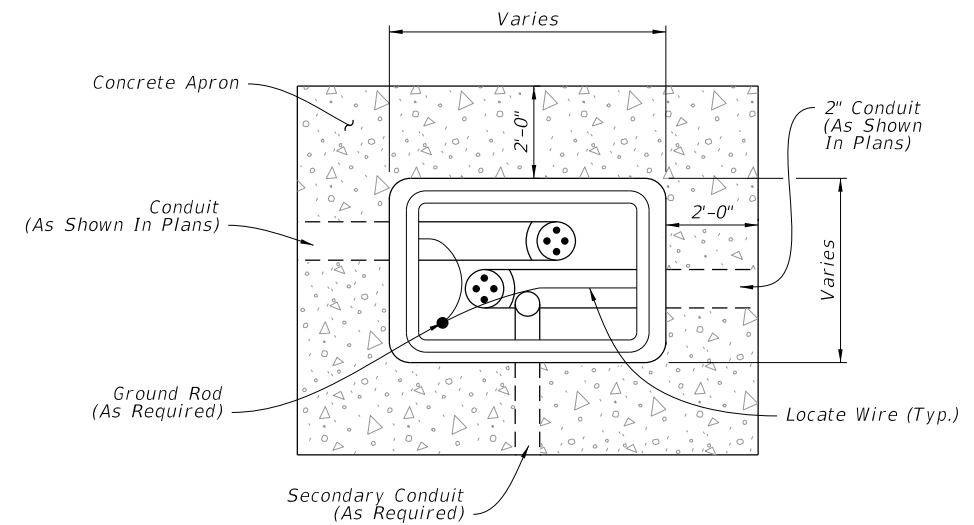
PULL BOX



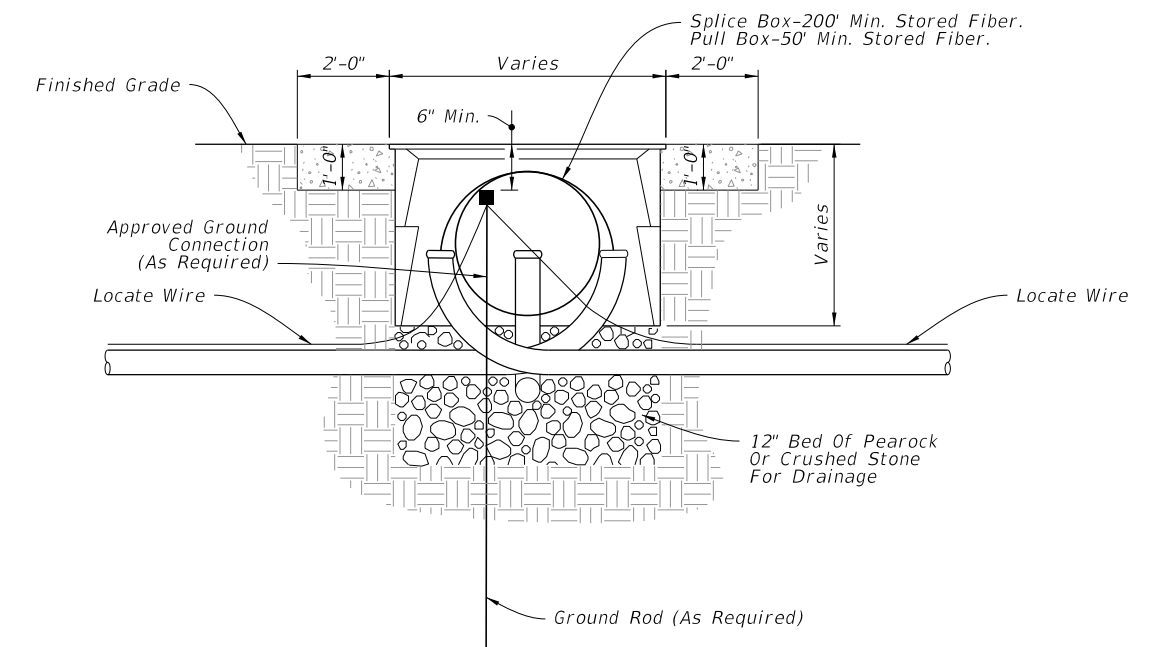
OSCEOLA COUNTY LID DETAIL



(FDOT) LID DETAIL



PLAN



ELEVATION

FIBER OPTIC BOX

**NOTES:**

1. PROVIDE FIBER OPTIC SPLICE BOXES WITH CABLE HANGER RACKS DESIGNED TO SUPPORT CABLES AND SPLICE ENCLOSURES.
2. INSTALL A 1'-0" WIDE (MIN.) CONCRETE APRON AROUND ALL BOXES USING CLASS NS CONCRETE. SLOPE THE APRON AWAY FROM THE BOX.
3. WHERE MULTIPLE PULL BOXES ARE PLACED SIDE BY SIDE, MAINTAIN AT LEAST 8" BETWEEN THE PULL BOXES.
4. RECTANGULAR BOXES ARE SHOWN, OTHERS SIMILAR.

1/26/2023 1:08:39 PM rrodriguez c:\pwworking\jmt\rrrodriguez@jmt.com\d0156103\PLAN\IT01.dgn

REVISIONS			
DATE	DESCRIPTION	DATE	DESCRIPTION

ENGINEER OF RECORD  
 RYAN P. BOGAN, P.E.  
 LICENSE NUMBER 82217  
 JOHNSON, MIRMIRAN & THOMPSON  
 400 COLONIAL CENTER PKY, SUITE 100  
 LAKE MARY, FL 32746

OSCEOLA COUNTY  
 TRANSPORTATION & TRANSIT DEPARTMENT

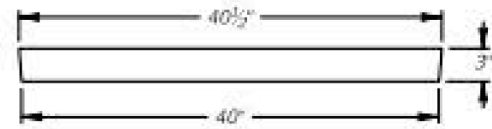
ROAD IDENTIFICATION	CONTRACT ID
PARTIN SETTLEMENT RD.	PS-20-11504-DG

**PULL BOX DETAILS**

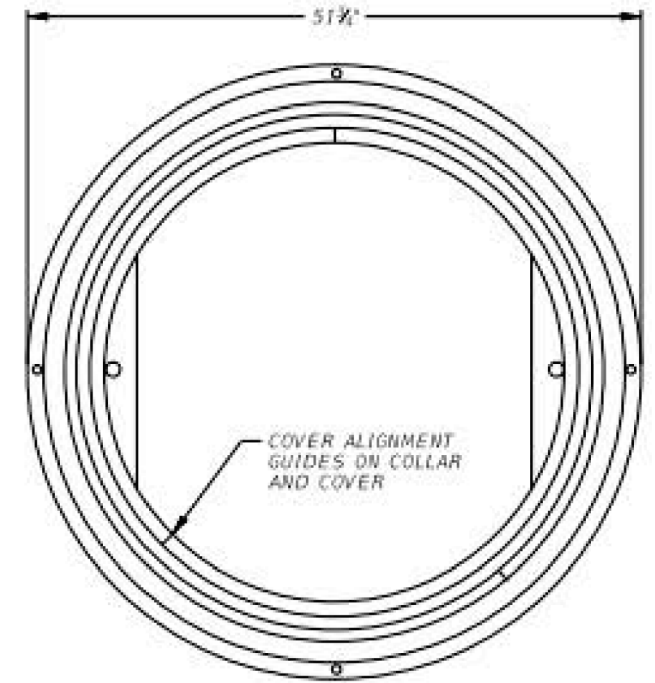
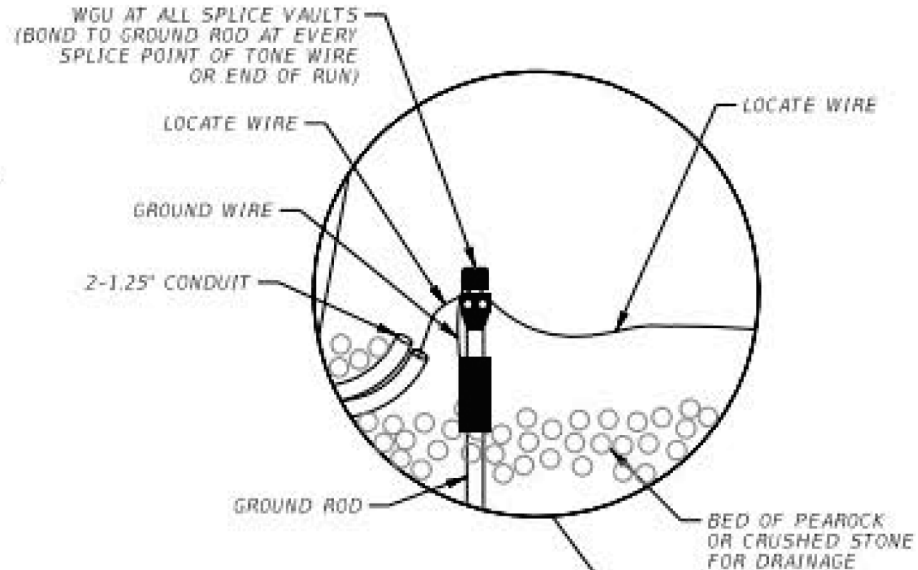
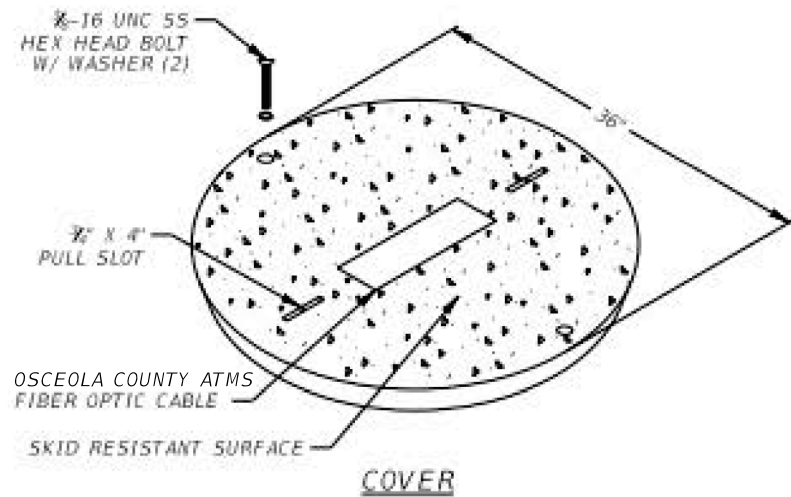
SHEET NO.  
IT-41

THE OFFICIAL RECORD OF THIS SHEET IS THE ELECTRONIC FILE DIGITALLY SIGNED AND SEALED UNDER RULE 61G15-23.004, F.A.C.

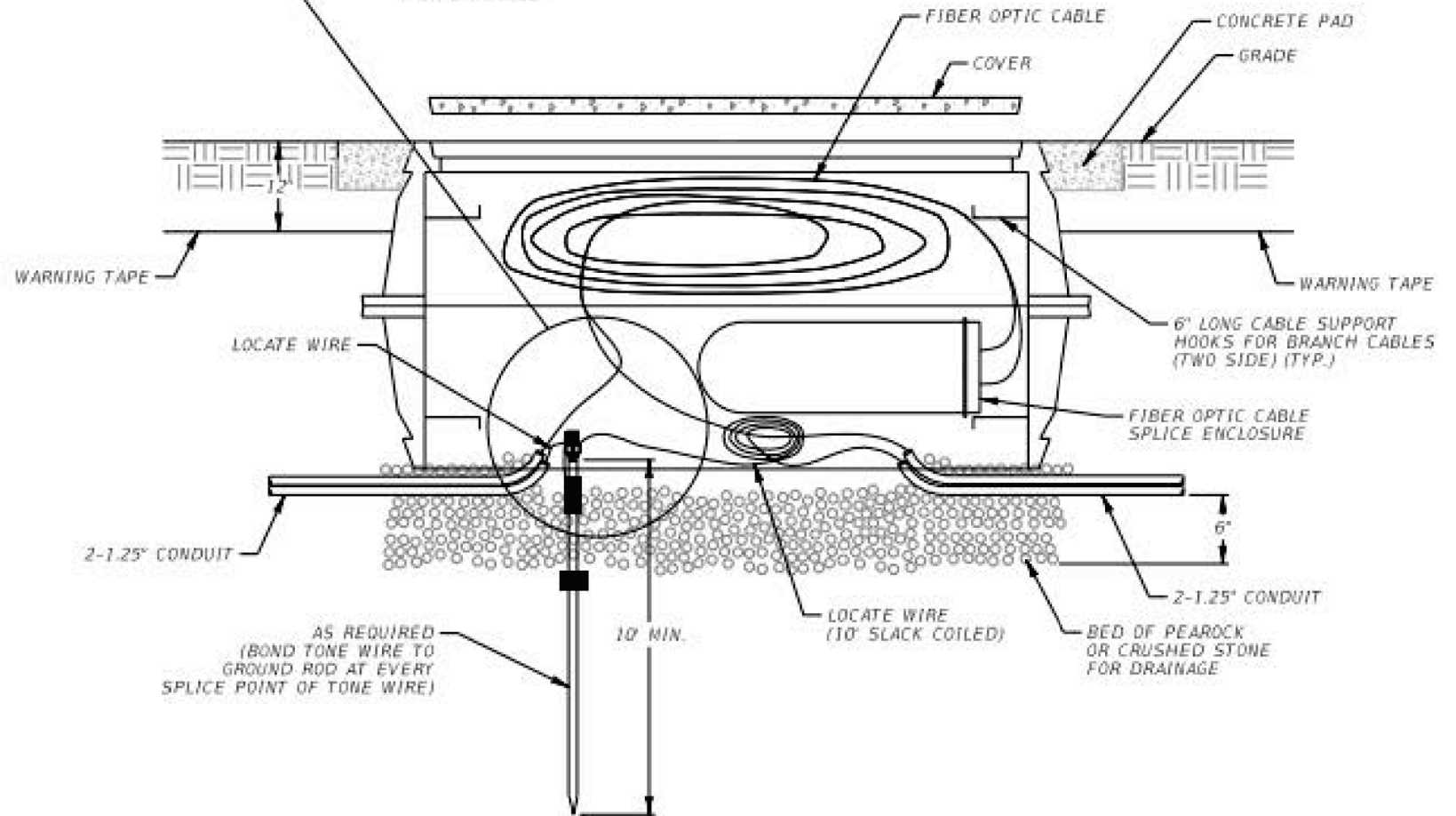
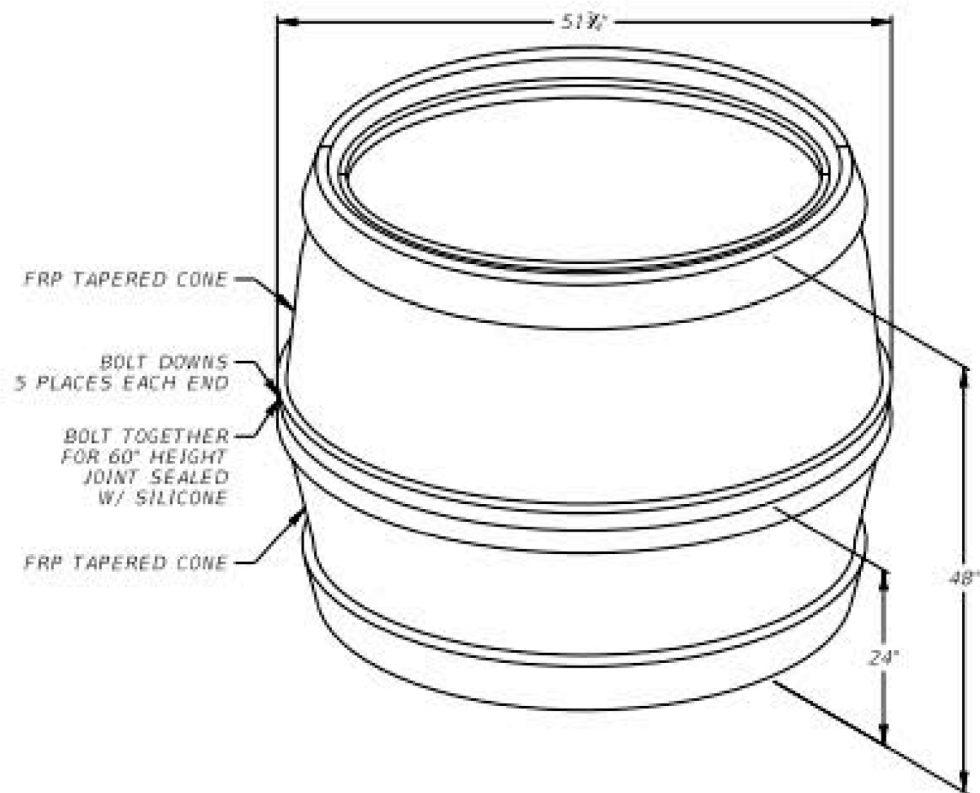
**FIBER OPTIC SPLICE VAULT  
NTS**



**COVER SECTION**



**TOP VIEW**



**FIBER OPTIC SPLICE VAULT NOTES:**

1. CABLE HANGERS ARE REQUIRED FOR SLACK LOOP AND ENCLOSURE.
2. SPARE FIBER OPTIC CABLE IS TO BE WOUND NEATLY AND CAREFULLY, AS NOT TO EXCEED THE MAXIMUM BENDING RADIUS OF THE FIBER OPTIC CABLE.

1/26/2023 1:08:39 PM rrodriguez c:\pwworking\jmt\rrrodriguez@jmt.com\d0156103\PLANIT01.dgn

REVISIONS		REVISIONS	
DATE	DESCRIPTION	DATE	DESCRIPTION

**ENGINEER OF RECORD**  
 RYAN P. BOGAN, P.E.  
 LICENSE NUMBER 82217  
 JOHNSON, MIRMIRAN & THOMPSON  
 400 COLONIAL CENTER PKY, SUITE 100  
 LAKE MARY, FL 32746

**OSCEOLA COUNTY  
 TRANSPORTATION & TRANSIT DEPARTMENT**

ROAD IDENTIFICATION	CONTRACT ID
PARTIN SETTLEMENT RD.	PS-20-11504-DG

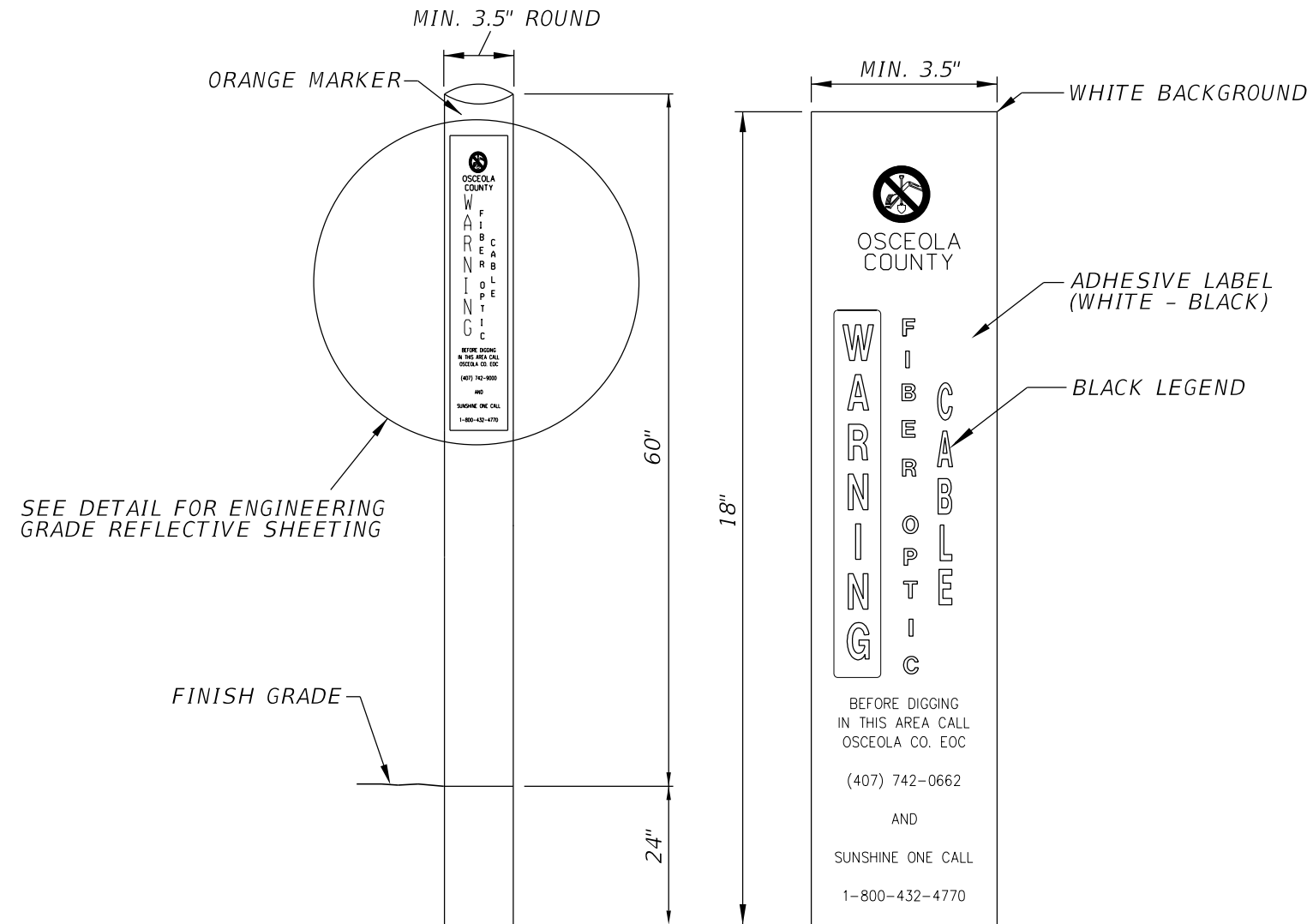
**SPLICE VAULT DETAILS**

SHEET NO.  
IT-42

THE OFFICIAL RECORD OF THIS SHEET IS THE ELECTRONIC FILE DIGITALLY SIGNED AND SEALED UNDER RULE 61G15-23.004, F.A.C.



FIBER OPTIC CABLE ROUTE MARKER



FRONT VIEW  
NTS

NOTES:

1. INSTALL FIBER OPTIC CABLE MARKER AT DIRECTION OF THE ENGINEER.
2. TUBULAR MARKER TO BE PLACED OVER A V-CHANNEL METALLIC FENCE POST.
3. NO SEPARATE PAYMENT FOR ROUTE MARKERS. COST SHALL BE INCIDENTAL TO CONDUIT INSTALLATION.
4. FOR FIBER AN ORANGE POLYDOME TOP SHALL BE INSTALLED ON EACH MARKER.
5. ALL ROUTE MARKERS SHALL MEET SECTION 630 OF FDOT STANDARD SPECIFICATIONS.

1/26/2023 1:08:50 PM rrodriguez c:\pwworking\jmt\rrrodriguez@jmt.com\d0156103\PLAN\T01.dgn

REVISIONS				ENGINEER OF RECORD		OSCEOLA COUNTY TRANSPORTATION & TRANSIT DEPARTMENT		ROUTE MARKER DETAILS	SHEET NO.
DATE	DESCRIPTION	DATE	DESCRIPTION	RYAN P. BOGAN, P.E. LICENSE NUMBER 82217 JOHNSON, MIRMIRAN & THOMPSON 400 COLONIAL CENTER PKY, SUITE 100 LAKE MARY, FL 32746		ROAD IDENTIFICATION	CONTRACT ID		IT-43
						PARTIN SETTLEMENT RD.	PS-20-11504-DG		

THE OFFICIAL RECORD OF THIS SHEET IS THE ELECTRONIC FILE DIGITALLY SIGNED AND SEALED UNDER RULE 61G15-23.004, F.A.C.

**PROJECT: Partin Settlement Road  
JMT #22-00219-002**

FIBER OPTIC LOSS BUDGET													
FIBER OPTIC LINK LOSS													
FROM LOCATION	TO LOCATION	RECOMMENDED TRANSCEIVER TYPE	ESTIMATED TRANSMISSION DISTANCE (ft) *	FIBER TYPE	OPERATING WAVELENGTH (nm)	FIBER ATTENUATION (dB/km)	TOTAL FIBER ATTENUATION (INCLUDES 10% CONTINGENCY) (db)	# OF CONNECTORS **	CONNECTOR LOSS PER CONNECTOR (dB)	TOTAL CONNECTOR LOSS (dB)	# OF SPLICES ***	SPLICE LOSS PER SPLICE (dB)	TOTAL SPLICE LOSS (dB)
EOC Entrance-WEST	Remington	1000BASE-LX	3044	SM	1310	0.35	0.36	2	0.5	1	4	0.1	0.4
Remington	E. Lakeshore	1000BASE-LX	4623	SM	1310	0.35	0.54	4	0.5	2	4	0.1	0.4
EOC Entrance-EAST	US 192	1000BASE-LX	5225	SM	1310	0.35	0.61	2	0.5	1	4	0.1	0.4
US 192	Neptune	1000BASE-LX	2468	SM	1310	0.35	0.29	4	0.5	2	4	0.1	0.4

**TABULATION NOTES**

\* 3280.84 ft = 1km

\*\* Number of mechanical connections include patch panel to patch cord and patch cord to switch connections.

\*\*\* Number of splices includes 2 splices for pre-terminated patch panel to drop cable connections and 2 splices for drop cable to backbone connections.

1/26/2023 1:08:56 PM rrodriguez c:\pwworking\jmt\rrrodriguez@jmt.com\d0156103\PLAN\IT01.dgn

THE OFFICIAL RECORD OF THIS SHEET IS THE ELECTRONIC FILE DIGITALLY SIGNED AND SEALED UNDER RULE 61G15-23.004, F.A.C.

REVISIONS				ENGINEER OF RECORD		OSCEOLA COUNTY TRANSPORTATION & TRANSIT DEPARTMENT		<b>FIBER LOSS BUDGET TABLE</b>	SHEET NO.
DATE	DESCRIPTION	DATE	DESCRIPTION			ROAD IDENTIFICATION	CONTRACT ID		
				RYAN P. BOGAN, P.E. LICENSE NUMBER 82217 JOHNSON, MIRMIRAN & THOMPSON 400 COLONIAL CENTER PKY, SUITE 100 LAKE MARY, FL 32746		PARTIN SETTLEMENT RD.	PS-20-11504-DG		IT-44